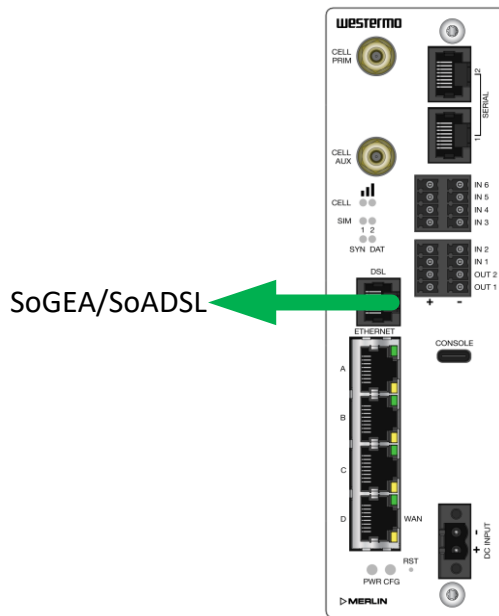


Merlin xDSL Quick Start

Configuring ADSL or VDSL line settings



ADSL line settings for SoADSL(SoTAP)

In **Network->Interfaces** edit the PPPoADSL interface. Then in the General Tab enter the username and password for the ADSL line in the PAP/CHAP username/password boxes. **Save and Apply.**

Interface Overview		
Network	Status	Actions
LAN br-LAN	Uptime: 0h 22m 33s MAC Address: 00:E0:CB:1A:4A:B8 RX: 303.69 KB (2603 Pkts.) TX: 3.04 MB (2476 Pkts.) IPv4: 192.168.100.1/24	CONNECT STOP EDIT
MOBILE MOBILE	RX: 0.00 B (0 Pkts.) TX: 0.00 B (0 Pkts.)	CONNECT STOP EDIT
PPPoAdsl pppoa-PPPoAdsl	Uptime: 0h 14m 38s RX: 155.76 KB (3014 Pkts.) TX: 76.96 KB (1619 Pkts.) IPv4: 81.139.198.205/32	CONNECT STOP EDIT

PAP/CHAP username	username
PAP/CHAP password	*****

In **Network->xDSL** the mode can be changed to match the line type. By default it will auto negotiate the VDSL or ADSL line type.

For different ADSL line types set the **Annex A** to match the line requirements.

Typical UK ADSL line types:

- ADSL1 (g.dmt) use Annex A G.992.1 (ADSL 1)
- ADSL2 use Annex A G.992.3 (ADSL 2)
- ADSL2+ use Annex A G.992.5 (ADSL 2+).

Save and Apply. The Merlin will have to be rebooted after a line mode change.

The ADSL line overview status will update at the top of the **Network->xDSL** page or using the command **dsl status** in the CLI.

VDSL line settings for SoGEA

In **Network->Interfaces** edit the PPPoVDSL interface and enter the username and password in the PAP/CHAP username/password boxes. **Save and Apply.**

PAP/CHAP username	username
PAP/CHAP password	*****

The ADSL line overview status will update at the top of the Network->xDSL page.

ADSL and VDSL tested using Merlin-4708 firmware DRS-24.04.016.000



Revision history for version 1.0

Revision	Rev by	Revision note	Date
00	VC	Release version	9/12/24
01			
02			
03			
04			
05			
06			
07			