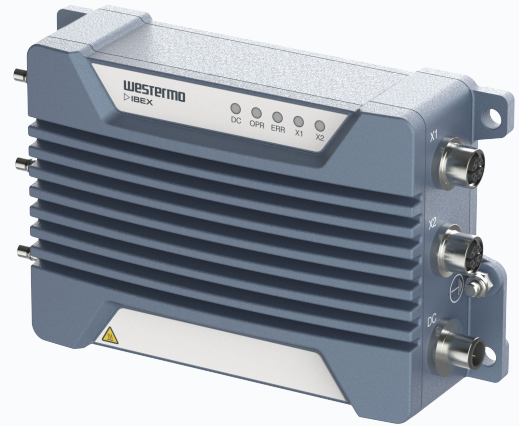


EN 50155 WLAN Access Point Ibex-RT-310 Series

- **Compact WLAN node/access point**
 - 3x3 MIMO
 - 2.4 GHz and 5 GHz
 - Flexible and easy set-up
- **Designed and built for extreme operational environments**
 - Extended operating temperature range with guaranteed performance across the range
 - High-level isolation enables direct DC power connectivity
 - EN 50155 approved for usage onboard trains and locomotives
- **High-end radio design for mission-critical capability**
 - High input sensitivity and fast hand-over
 - Robust DFS (radar detection) features
 - Disturbance free operation close to other radio devices



The Ibex-RT-310 series is a Wireless LAN access point for on-board and stationary applications. It ensures reliable, high-speed data and can be used as a passenger hotspot or as an access points for connecting wireless industrial clients.

The Ibex-RT-310 series is designed to withstand the tough environment on-board trains, exposing the switch to constant vibration, extreme temperatures, humidity and a demanding electromagnetic environment.

The high-end RF circuitry is designed and calibrated to ensure fast hand-off, high RF sensitivity even at high data rates/modulations, stable RF links, optimized DFS handling, etc.

A GORE-TEX® membrane prevents internal condensation. High-level isolation between all interfaces enables direct connectivity to vehicle auxiliary power and protects against overvoltage and spikes/surge (powering over PoE is also available). IP66 protection prevents ingress of water and dust even at the quick connect QMA connectors.

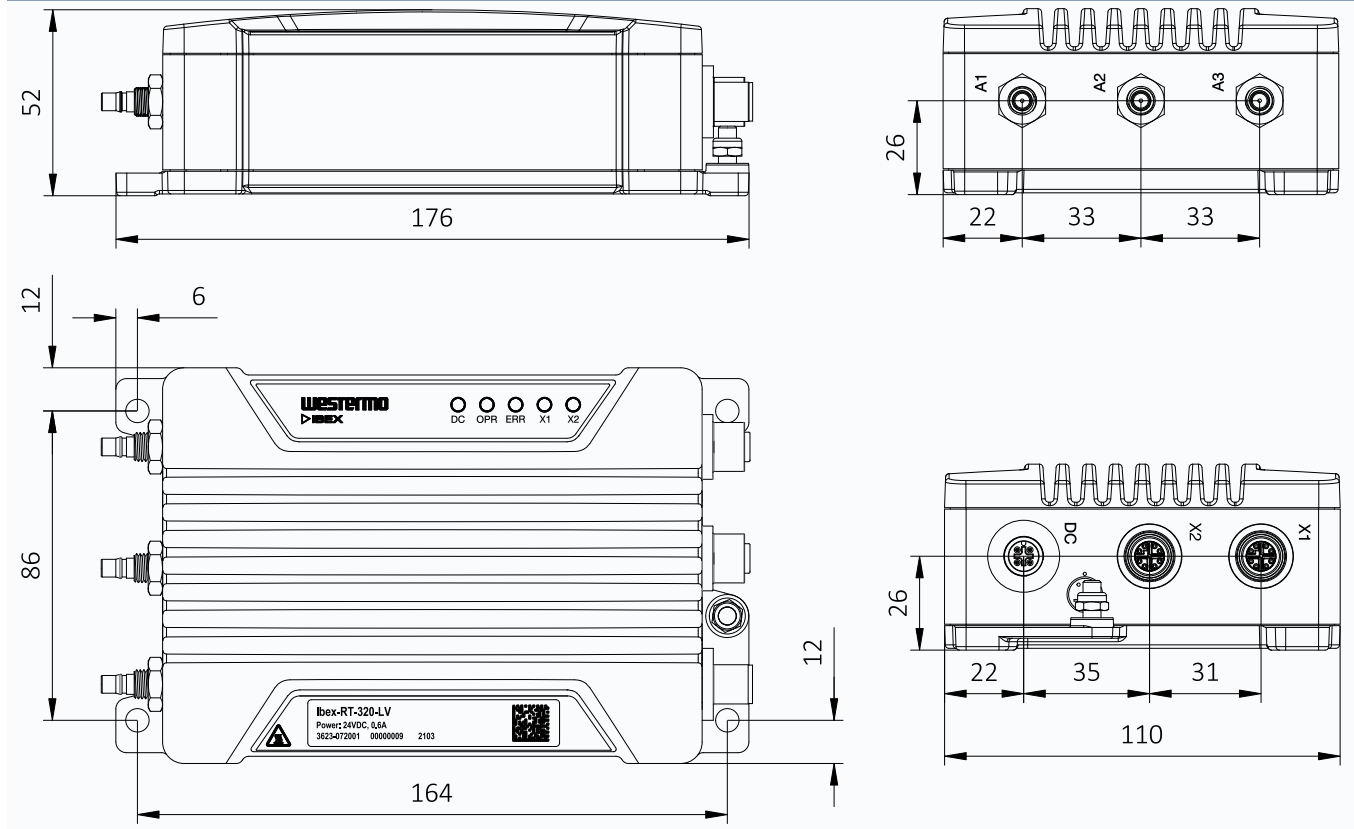
An overall optimised design results in a compact form factor in combination with very high MTBF for easy integration in space restricted installations and low lifecycle cost.

Thorough type testing at independent labs certifies the compliance to a wide range of standards, not least EN 50155, FCC and EN 300 440 (the latter opening the possibility to use the 5.8 GHz band in the EU region).

Meeting the requirements of the railcar market, the Ibex-RT-310 series is very well suited for deployment in any other application with severe operating conditions and tough environments, for instance in the mining or shipping industry.

Specifications - Ibex-RT-320 series

Dimensional drawing



Technical data

Dimensions (W x H x D)	176 x 52 x 110 mm (6.93 x 2.05 x 4.33 inches)
Housing	Full metal
Weight	1.1 kg without antennas
Operating temperature	-40 to +70°C (-40 to +158°F)
Ingress protection	IP66
MTBF	380,000 hours (IEC 62380)
Power feed	Ibex-RT-310-LV: 24 VDC isolated, 0.6 A max. or IEEE 802.3 at type 1 powered device Ibex-RT-310-HV: 72 to 110 VDC isolated, 0.2 A max.

Interface

RF antenna	3 x QMA compatible antenna connectors, 3x3 MIMO
Ethernet	2 x 10/100/1000 Base-T, 2 x M12 X-coded connectors

Wireless	
Operating modes	Access Point, Client, Bridge
Wireless standards supported	IEEE 802.11b, 802.11g, 802.11a, 802.11n
Frequency range	2.400 to 2.4835 GHz 5.150 to 5.350 GHz, 5.470 to 5.725 GHz, 5.725 to 5.875 GHz
Data rates supported	802.11b: 1 Mbit/s, 2, 5.5, and 11 Mbit/s 802.11g and 802.11a: 6 Mbit/s, 9, 12, 18, 24, 36, 48 and 54 Mbit/s 802.11n 20 MHz BW, LGI/SGI: from MCS0 6.5/7.2 Mbit/s to MCS23 195/216.7 Mbit/s 802.11n 40 MHz BW, LGI/SGI: from MCS0 13.5/15 Mbit/s to MCS23 405/450 Mbit/s
RF transmit power 2400 to 2483.5 MHz ^a	Max. conducted transmit power, 802.11b/g/n: 1 port: +22 dBm for all data rates 2 ports: +25 dBm for all data rates 3 ports: +27 dBm for all data rates
RF transmit power 5150 to 5350 MHz ^a	Max. conducted transmit power, 802.11a/n: 1 port: BPSK, QPSK and 16QAM: +22 dBm, 64QAM: +20 dBm 2 ports: BPSK, QPSK and 16QAM: +25 dBm, 64QAM: +23 dBm 3 ports: BPSK, QPSK and 16QAM: +25 dBm, 64QAM: +25 dBm
RF transmit power 5470 to 5850 MHz ^a	Max. conducted transmit power, 802.11a/n: 1 port: +22 dBm for all data rate 2 port: +25 dBm for all data rates 3 port: +27 dBm for all data rates
Receiver sensitivity (typical)	802.11g: -95 dBm (6 Mbit/s), -85 (36Mbit/), -80 dBm (54 Mbit/s) 802.11a: -95 dBm (6 Mbit/s), -85 (36Mbit/), -80 dBm (54 Mbit/s) 802.11ng HT20: -95 dBm (MCS0), -76 dBm (MCS7), -73 dBm (MCS15), -70 dBm (MCS23) 802.11na HT20: -95 dBm (MCS0), -76 dBm (MCS7), -73 dBm (MCS15), -70 dBm (MCS23) 802.11ng HT40: -92 dBm (MCS0), -73 dBm (MCS7), -70 dBm (MCS15), -67 dBm (MCS23) 802.11na HT40: -92 dBm (MCS0), -73 dBm (MCS7), -70 dBm (MCS15), -67 dBm (MCS23)
MIMO features supported	Space Time Block Coding (STBC), RX Low Density Parity Check (LDPC), Maximum Likelihood Demodulation (MLD), Maximum Ratio Combining (MRC)

^aDepending on regulatory limitations

Features	
Security	WPA2 (CCMP), WPA3-Personal (SAE/OWE), WPA3-Enterprise (Suite-B), 802.11w, 802.1X, 802.11r
Ethernet routing/networking and VPN	Fixed fallback IP, IP aliases, MAC address control lists, Port forwarding, Routing, Multicast Routing, DHCP Server/Client, NAT, VLAN support, NTP client, SNMP v2c and v3 with USM authentication and encryption support, SNMP Traps, RSTP, Firewall, IP Masquerading (NAT/NAPT), Port Forwarding, Stateless NAT (1-1 NAT), SSL VPN (Client and Server, Certificate Authentication, Pre-shared Key (PSK) Point-to-Point Mode, Layer-2 and Layer-3 VPN, Layer-2 VPN bridging, Address pool and address per CN, TLS Authentication), Generic Routing Encapsulation (GRE)
Monitoring features	Built-in monitoring sensors and diagnostics
Device management	SNMP, HTTP/HTTPS with user authentication, CLI (SSH and Telnet)
SNMP MIB Support	MIB-2, RFC1213, HOST-RESOURCES, BRIDGE, ETHERLIKE, IF-MIB, LLDP-MIB, UCDD-SNMP-MIB, WESTERMO-SW6-MIB, WESTERMO-SW6-BRIDGE-MIB, WESTERMO-SW6-FIREWALL-MIB, WESTERMO-SW6-ICL-MIB

Approvals and Standards	
Climate	<ul style="list-style-type: none"> EN 50155, class OT4 Railway applications - Electronic equipment used on rolling stock EN 50125-3, Railway applications – Environmental conditions for equipment, Part 3: Equipment for signalling and telecommunications
EMC	<ul style="list-style-type: none"> EN 50155, Railway applications - Electronic equipment used on rolling stock EBA EMV 06, German Federal Railway Authority, Radio compatibility of rail vehicles EN 50121-3-2, Railway applications – Electromagnetic compatibility, Part 3-2: Rolling stock – Apparatus EN 50121-4, Railway applications - Electromagnetic compatibility. Part 4: Emission and immunity of the signalling and telecommunications apparatus ETSI EN 301 489-1, Electromagnetic compatibility (EMC) and Radio spectrum Matters (ERM) for radio equipment and services - Part 1: Common technical requirements ETSI EN 301 489-17, Electromagnetic compatibility (EMC) and Radio spectrum Matters (ERM) for radio equipment - Part 17: Specific conditions for Broadband Data Transmission Systems
Mechanical (Shock and vibration)	<ul style="list-style-type: none"> EN 61373, category 1, class A and B EN 50125-3, Outside the track
Insulation (Coordination and test)	<ul style="list-style-type: none"> EN 50124-1, Railway applications – Insulation coordination EN 50155, Railway applications - Electronic equipment used on rolling stock
Radio communication	<ul style="list-style-type: none"> ETSI EN 300 328, Wideband transmission systems; Data transmission equipment operating in the 2,4 GHz ISM band and using wide band modulation techniques ETSI EN 301 893, 5 GHz RLAN IEEE 802.11, Wireless LAN Medium Access Control (MAC) and Physical Layer (PHY) Specifications FCC-47-15, Radio frequency devices
Safety	<ul style="list-style-type: none"> EN/IEC 62368-1, Safety Requirements for audio/video, information and communication technology equipment EN 45545-2, Fire protection on railway vehicles NFPA 130, Fire protection for fixed guideway transit and passenger rail system

Ordering information	
Art. no.	Description
3623-071001	Ibex-RT-310-LV EU
3623-071002	Ibex-RT-310-LV NA
3623-0799	Factory Reset Plug X-code (Accessory)