

DIN-rail PoE Injector and PSU Combination Unit PS-240-P4G

- **Make any switch a PoE switch**
 - PoE injector and power supply all in one
 - PS-240-P4G feeds power both to the switch and the PoE devices connected to it
 - No need for any additional power supply
- **Powerful and high quality device**
 - Supports PoE+ (IEEE 802.3at) with up to 30 watts per channel and gigabit communication speed
 - Total power budget of 240 W
- **Easy to install and use**
 - Compatible with a majority of all Westermo DIN and 19" switches, without any need for configuration
 - Cost and size effective
 - Connects directly to the AC mains

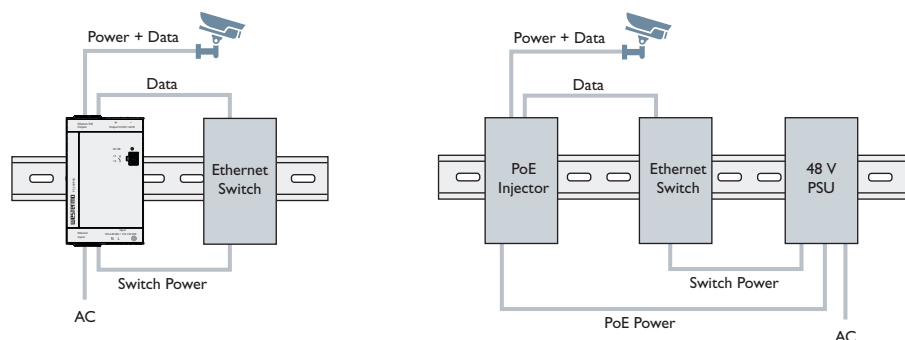



EN 61000-6-1 Residential Immunity
 EN 61000-6-2 Industrial Immunity
 EN 61000-6-3 Residential Emission
 EN 61000-6-4 Industrial Emission
 EN 61010-1 Safety Industrial Equipment

PS-240-P4G combines a Power over Ethernet (PoE) injector and a multi-use power supply into one single unit. This unique all-in-one solution excludes the need for separate power supplies. By lowering the number of units needed, system complexity and costs are significantly reduced. Furthermore, installation is both easier, faster and more compact. The device is based on a DIN-rail mountable high-quality power supply that impresses with its reliability, performance and standard fulfilment.

The input power is single-phase-AC and the total power capacity 240 watts. 120 watts are dedicated to injecting power to four individual PoE+ channels (IEEE 802.3at) via RJ45 Ethernet ports, and 120 watts are available to power external units including the Ethernet switch itself.

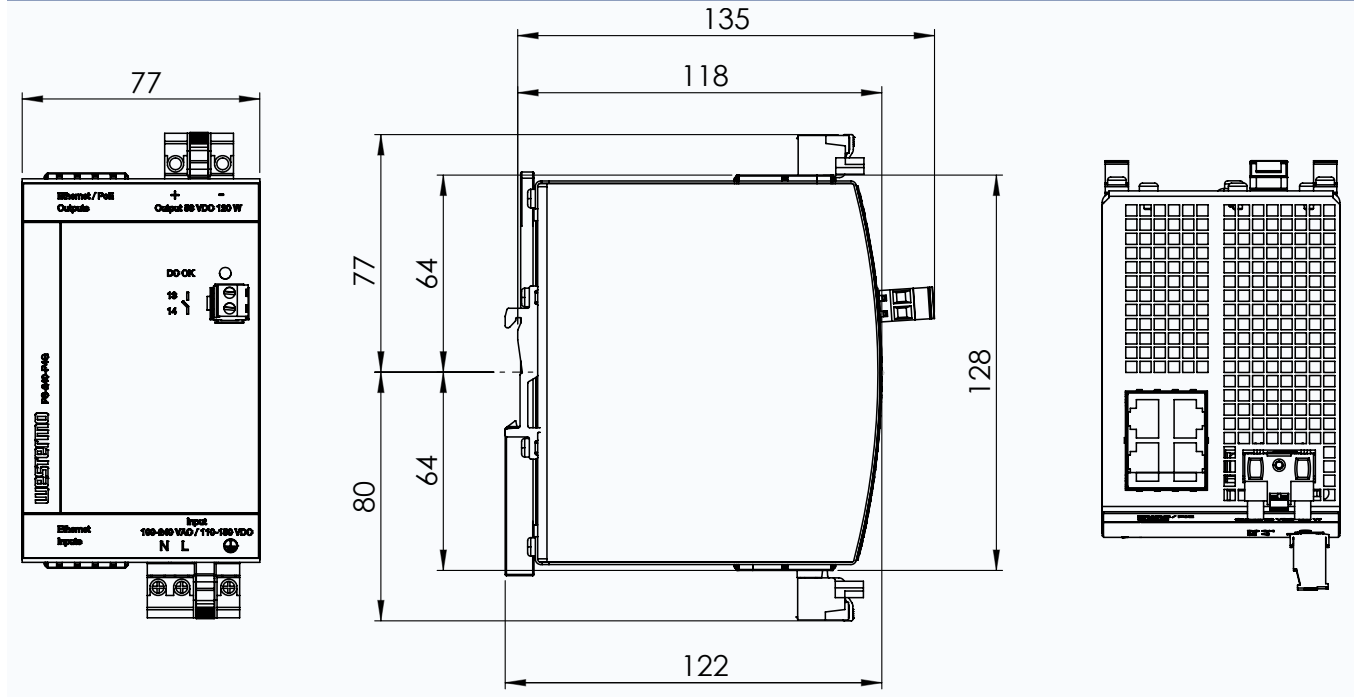
PS-240-P4G is perfect for both new and retrofit PoE infrastructures projects. The device is optimized for flexible usage and works seamlessly with all Westermo Ethernet switches compatible with 53 VDC input, no configuration needed. The PS-240-P4G makes any switch a PoE switch with only one device versus the traditional solutions that require a minimum of two additional devices.



The PS-240-P4G solution with only one extra devices versus the traditional solution with two extra devices

Specifications - PS-240-P4G

Dimensional drawing



General data

Dimensions (W x H x D)	77 x 128 x 117 mm
Weight	0.9 kg
MTBF hours	Siemens SN 29500: 699,000 hours MIL-HDBK 217 F: 268,000 hours at 100 to 120 VAC MIL-HDBK 217 F: 296,000 hours at 230 VAC

Ethernet interface

Data transfer rate	4 x 10/100/1000 Mbit/s, Ethernet TX, RJ-45
No. of RJ45 channels	4 pcs (4 PoE inputs, 4 PoE outputs)
Output power	4 x 30 W (below +60°C) 4 x 22.5 W (at +70°C)
Output voltage	53 VDC

Power parameter

Rated input voltage AC	100 to 240 VAC, 50 to 60 Hz
Operating input voltage AC	85 to 264 VAC, 47 to 63 Hz
Input current AC	2.18/1.14 A (at 120/230 VAC)
Input inrush current	6/9 pk A (at 40°C 120/230 VAC)
Power factor	0.99/0.97 at 120/230 VAC
Rated input voltage DC	110 to 150 VDC
Operating input voltage DC	88 to 180 VDC
Input current DC	2.35 A (at 110 VDC)
Hold-up time	37 ms

DC output interface	
Output voltage	Nominal 53 VDC
Line regulation	Maximum 10 mVDC (between 85 and 300 VAC)
Load regulation	Maximum 50 mVDC (between 0 and 2.2 A, static value)
Ripple and noise voltage	Maximum 50 mVDC _{pp} (bandwidth 20 Hz to 20 MHz, 50 Ohm)
Input current	Nominal 2.26 A (at 60°C ambient temperature) Nominal 1.7 A (at 70°C ambient temperature)
Short-circuit current	Minimum 6.3 A ^a (load impedance <90 mOhm) Maximum 7.7 A ^a (load impedance <90 mOhm)

^aDischarge current of output capacitors is not included

Environmental	
Operating temperature	-25 to +70°C (-13 to +158°F)

Approvals	
EMC	EN/IEC 61000-6-1, Immunity residential environments EN/IEC 61000-6-2, Immunity industrial environments EN/IEC 61000-6-3, Emission residential environments EN/IEC 61000-6-4, Emission industrial environments
Safety	EN/IEC 61010-1, -2-201, Safety requirements for electrical equipment for measurement, control, and laboratory use

Ordering information	
Art. no.	Description
3125-0100	PS-240-P4G, DIN-rail PoE injector and PSU combination unit