

Industrial Gigabit PoE+ Booster Switch PSI-010-FT2G-P8G

- **Powerful Industrial Power over Ethernet (PoE) switch**
 - Reduce complexity, one cable for power and connectivity
 - All 8 copper ports supporting up to 30 W, 802.3at (PoE+)
 - Total PoE power budget up to 240 W
- **Flexible long distance / uplink connections**
 - 2 pcs of fibre/copper combo ports
 - Choose either to use SFP or copper
- **Robust for long service life**
 - -40 to +75 °C operating temperature
 - Industrial and trackside type tested
 - Robust IP40 metal housing



EN 61000-6-2
Industrial Immunity

EN 61000-6-4
Industrial Emission

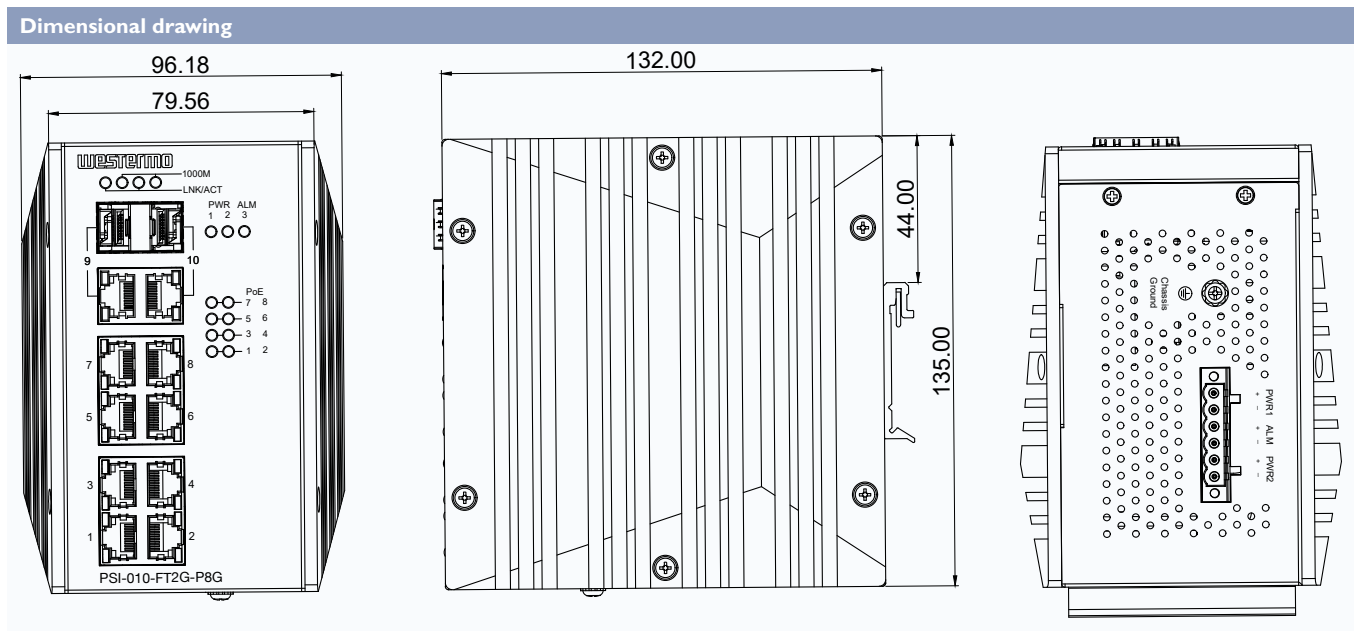
The PSI-010-FT2G-P8G is a high-performance industrial unmanaged Power over Ethernet switch. It combines the plug-and-play nature of an unmanaged device with the capability to supply power to high-power devices over long distances. With 8 copper ports providing up to 30 W PoE power output per port and a total power budget of 240 W, the possibilities for lean and simple installations are vast. Only one cable is required for both connectivity and power.

The switch can be connected to a larger network either by copper Gb-Ethernet or by fibre optic transceivers (SFPs). This offers flexibility for installations to reach both short and long distances by using any of the many SFPs in the Westermo portfolio. In addition, it also offers a cost-effective connection with the copper port. A fibre optic connection can be made outside the premises, as there is no electrical connection, allowing for diverse ground potentials.

Designed for harsh industrial environments, the switch is able to withstand extreme temperatures, vibrations, humidity, and electrical environments. The use of only industrial grade components contributes to ensure market leading mean time between failure (MTBF), maximized service life and reduced operational and life cycle costs.

The device is thoroughly tested by external test institutes to meet a rich selection of EMC, isolation, vibration and shock standards. These standards are all to the highest levels suitable for industrial environments and rail trackside applications.

Specifications - PSI-010-FT2G-P8G



Housing	
Dimensions (W x H x D)	96 x 132 x 135 mm (3.78 x 5.20 x 5.31 in)
Housing	Full metal
Weight	2 kg

Power parameters	
Rated voltage	12 to 48 VDC
Operating voltage	12 to 56 VDC
Rated current	0.32 A at 12 VDC 0.24 A at 24 VDC 0.14 A at 48 VDC
Power budget	Max. 240 W total PD consumption Max. 30 W per PoE port

Environmental	
Operating temperature	-40 to +75 °C (-40 to +167 °F)
Storage and transport temperatures	-40 to +85 °C (-40 to +185 °F)
Ingress protection	IP41
Humidity (operating)	5-90%, non-condensing

Interface	
Combo ports	2 x 1000BaseT(X), RJ45 connector or 2 x 100/1000BaseF(X), SFP
Ethernet ports	802.3at/af (PoE+/PoE): 8 x 10/100/1000BaseT(X), RJ45 connector
Relay	Dry relay output: 1A / DC 24V

Switch properties	
Switch technology	Store and Forward technology
System throughput	23.8 megapackets per second, 64 bytes packet length
Transfer packet size	64 - 1518 bytes
MAC address	16K MAC address table
Packet buffer	2 megabits shared packet buffer
Broadcast storm control	Default enabled Traffic threshold: 25 Mbps@1000 Mbps; 10 Mbps@100 Mbps; 1 Mbps@10 Mbps
Jumbo frame	Up to 10K bytes
Transfer performance	14,880 pps @10 Mbps, 148,800 pps @100 Mbps, 1,488,100 pps @1000 Mbps
Quality of service	Compliance with IEEE802.1p with WRR 8:4:2:1 for 4 queues Highest/High/Low/Lowest Packets are classified as Highest(6,7), High(4,5), Low(0,3), Lowest(1,2), default Low(0)

Approvals	
EMC	EN/IEC 61000-6-2, Immunity industrial environments EN/IEC 61000-6-4, Emission industrial environments
Trackside	EN 50121-4, Railway signalling and telecommunications apparatus
Traffic	ECE E-Mark, Road Vehicles, E13 10R-06 15771

Warranty	
Validity	5 years

Ordering information	
Art. no.	Description
3626-0130	PSI-010-FT2G-P8G

Accessories	
100 Mbit transceivers 1 Gbit transceivers Multimode transceivers	westermo.com/products/accessories/sfp-transceivers