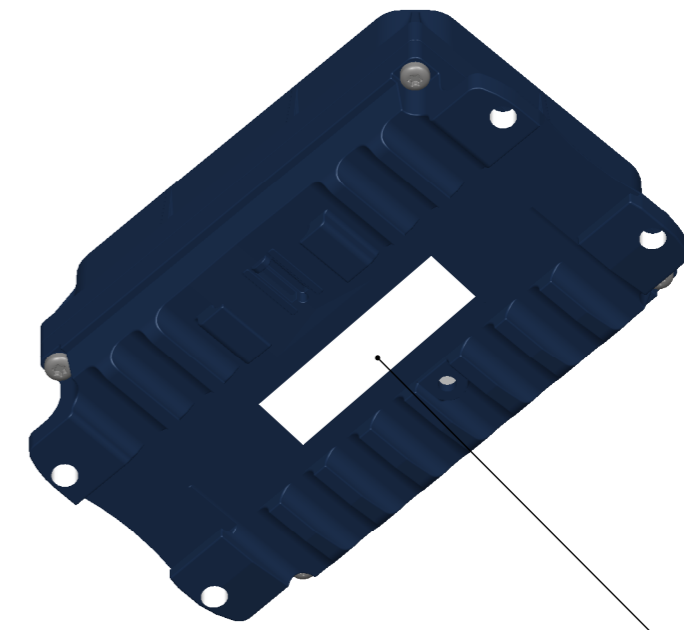
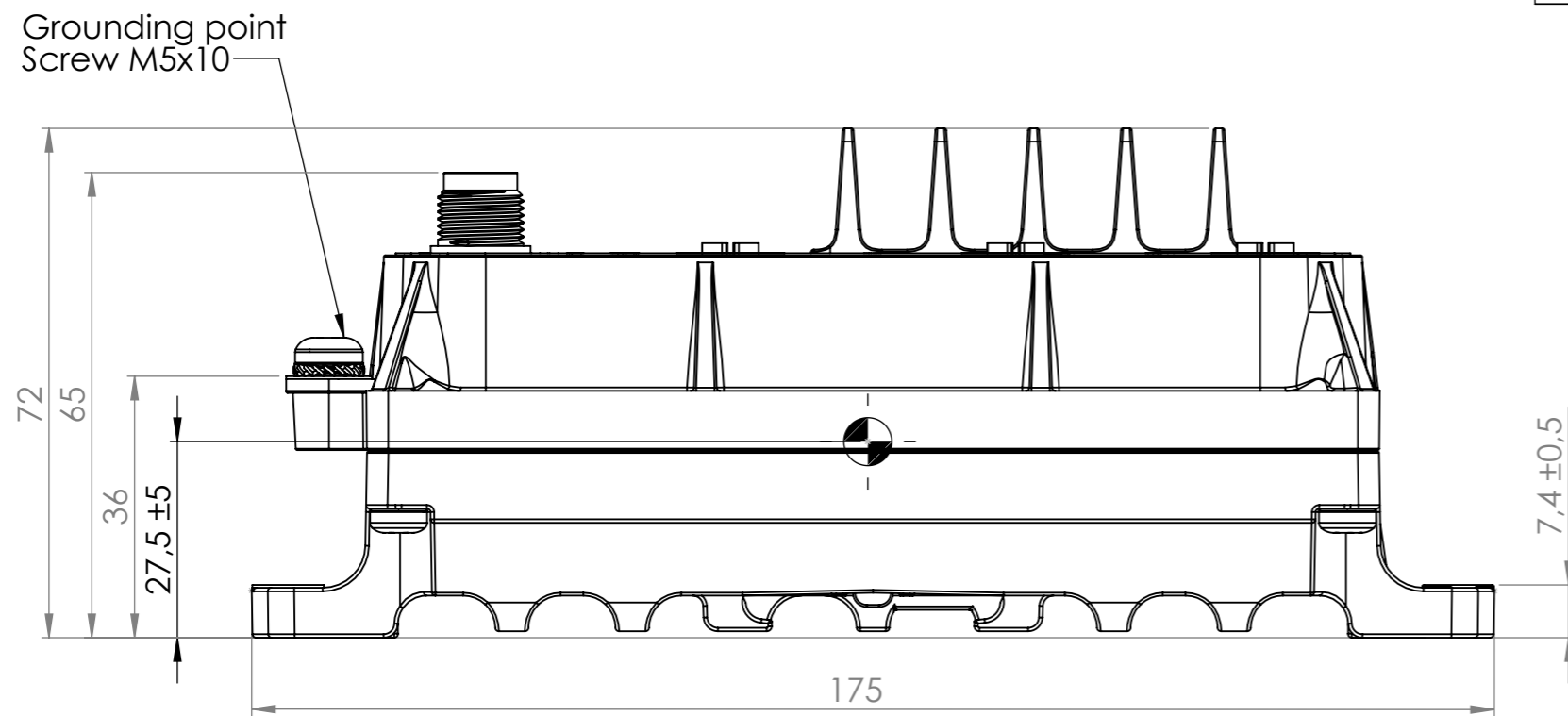
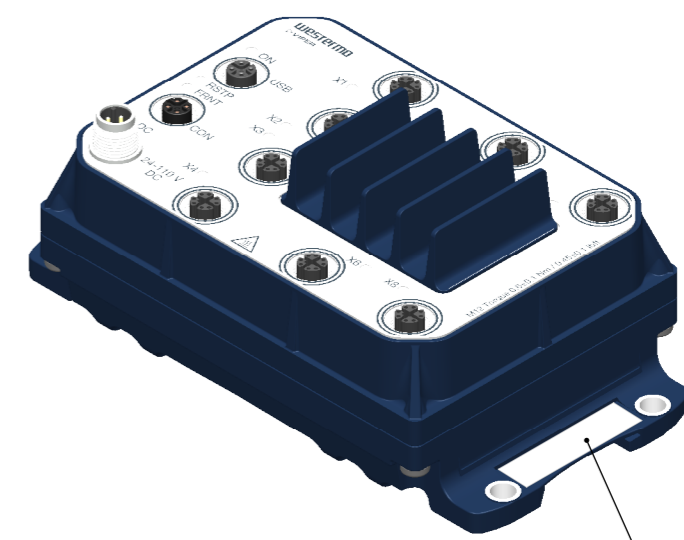
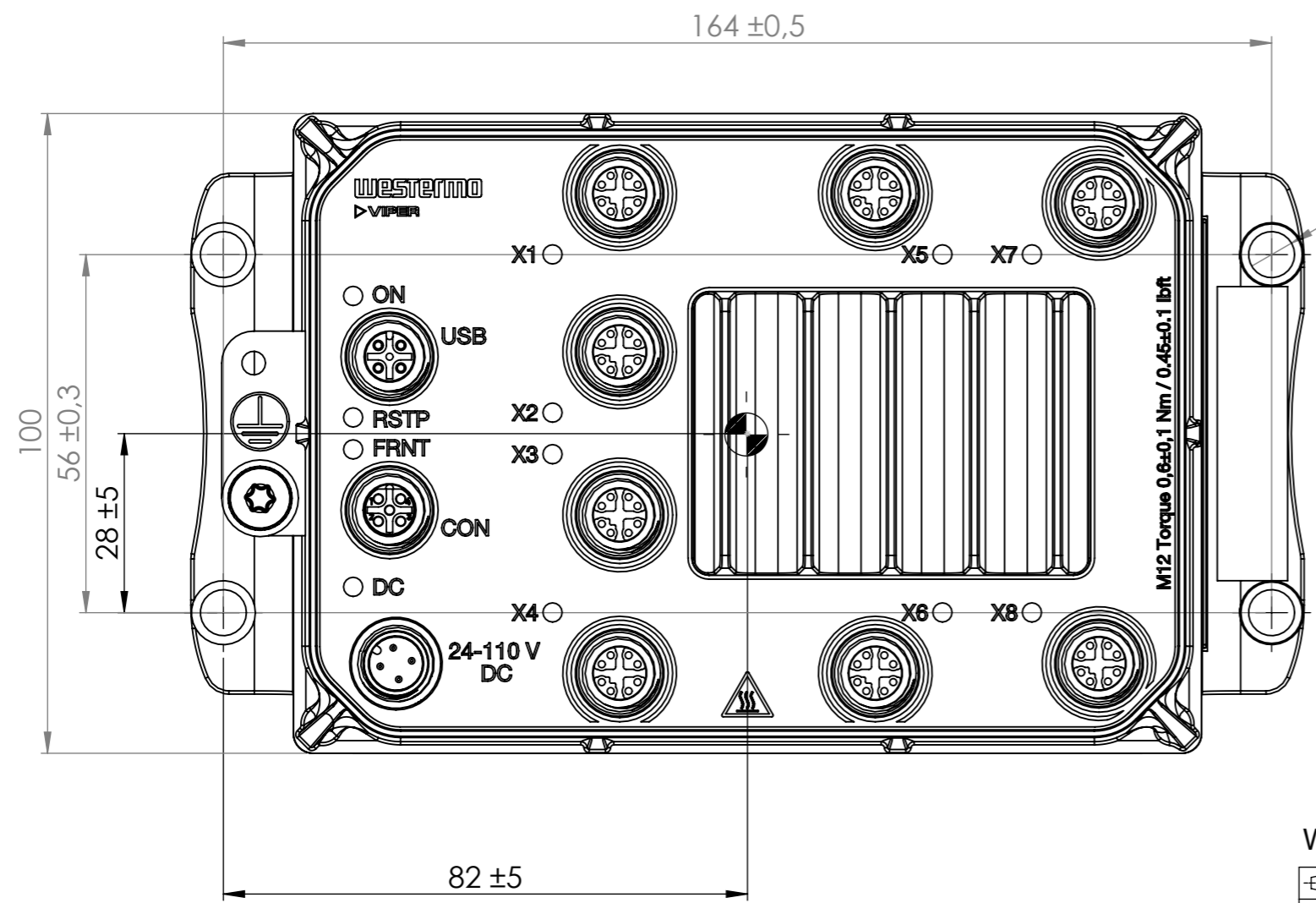


REVISIONS				
Rev	Description	Designer	Approved	Date
01	Created	KTN	KLI	2021-02-10



Label: P/N, Type, Power, MAC, S/N, QR-code



Label: Product name, P/N, S/N, QR-code

Weight: 1410±30 g

Units in millimeter (mm)

	Denomination Viper-108-T8G	Tolerance ± 1 mm		Scale	Sheet
		Designer KTN	Approved KLI	Date 2021-02-10	1:1
Drawing No. 3635-2210-UD-01			Status Approved		