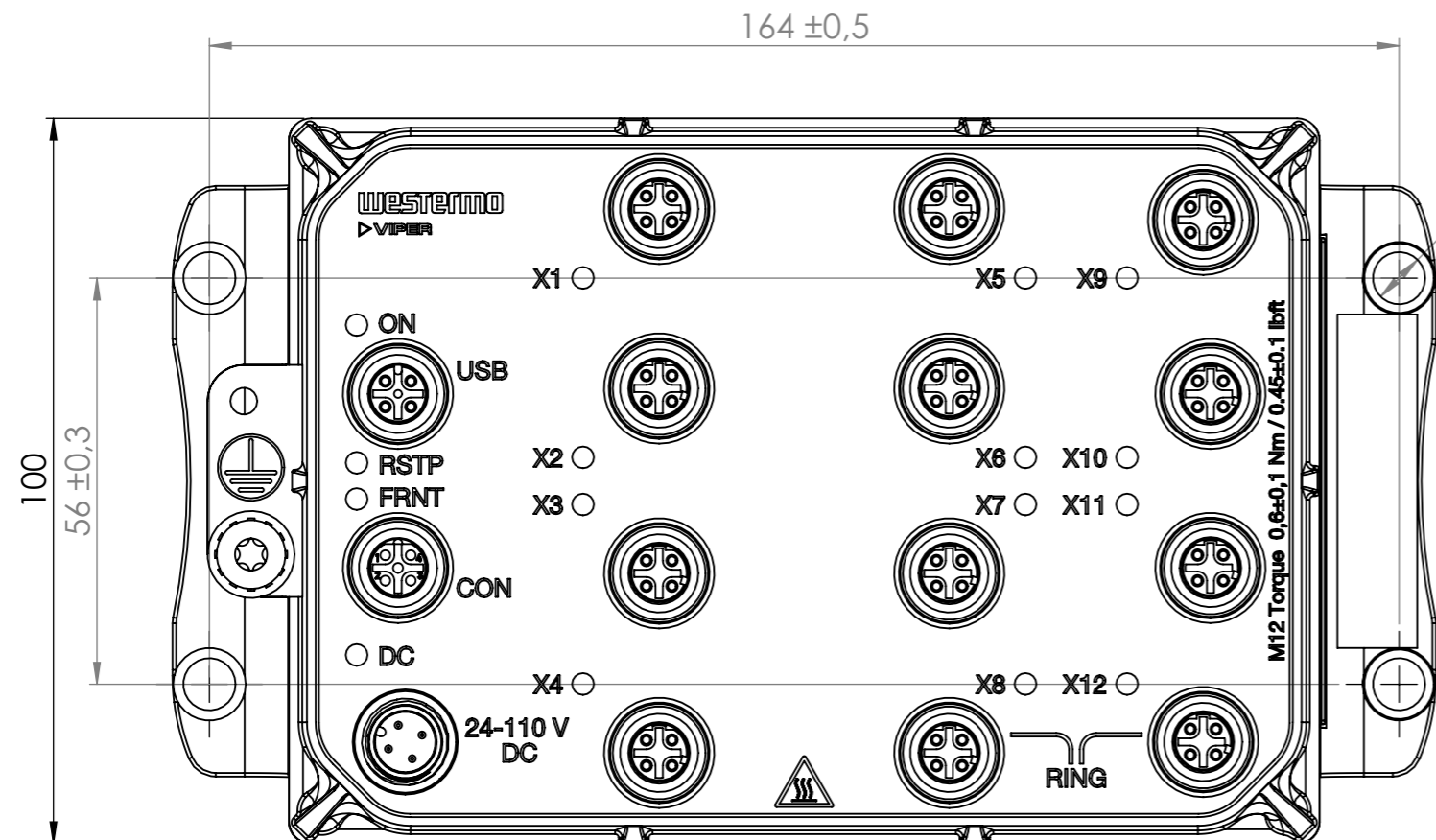
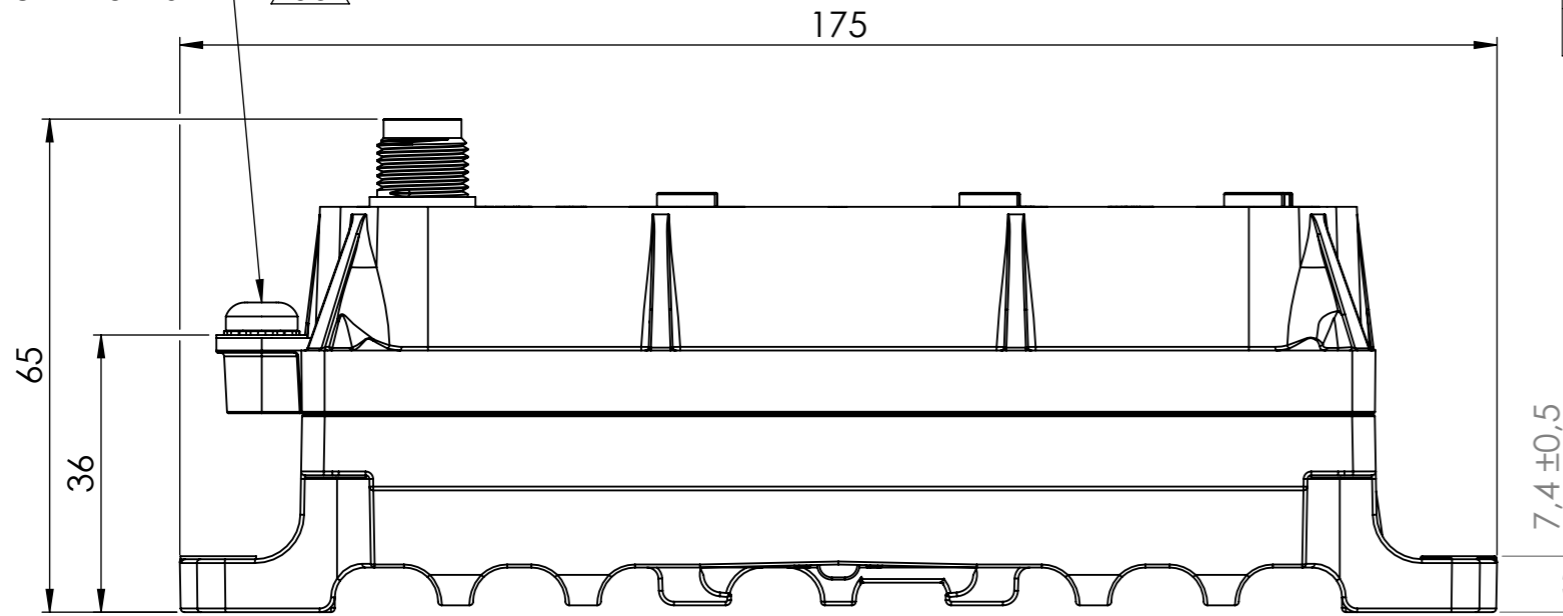


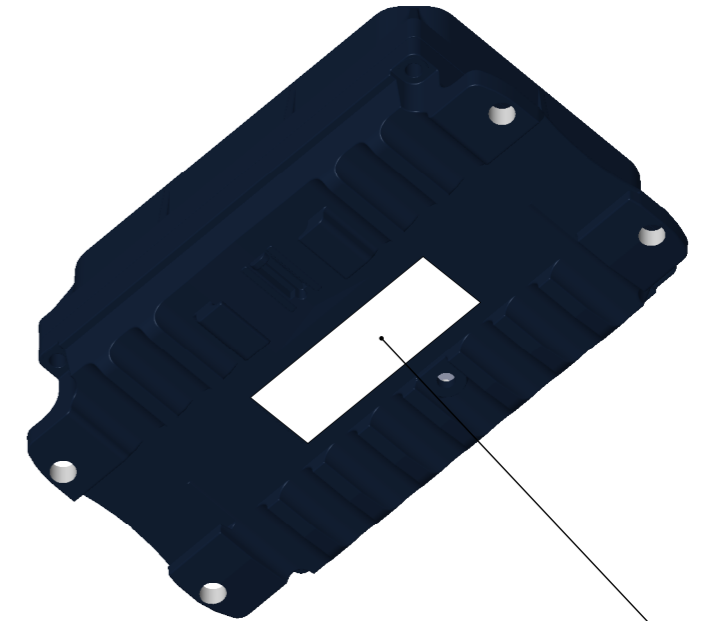
Grounding point  
Screw M5x10



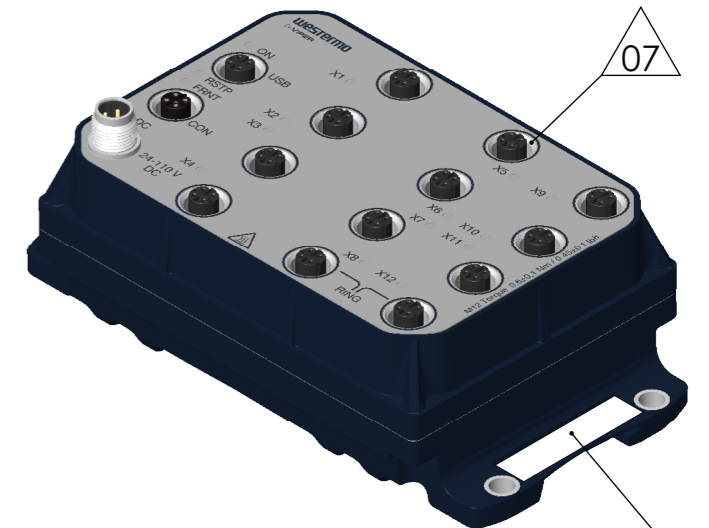
$\varnothing 7.2^{+0.2}_{-0.5}$

REVISIONS

| Rev | Description                                      | Designer | Approved | Date       |
|-----|--|----------|----------|------------|
| 06  | Grounding point info added                       | KTN      | KLI      | 2017-08-15 |
| 07  | Connector protections removed to show connectors | KTN      | KLI      | 2019-11-05 |
| 08  | Change of product color and overlay              | ODB      | KLI      | 2020-06-22 |



Label: P/N, Type, Power, MAC, S/N, QR-code



Label: Product name, P/N, S/N, QR-code

Units in millimeter (mm)

|                                |                |       |                            |                 |       |       |
|--------------------------------|----------------|-------|----------------------------|-----------------|-------|-------|
|                                | Material/Notes | Notes | Tolerance $\pm 1$ mm       |                 | Scale | Sheet |
|                                |                |       | Denomination<br>Viper 212A | Designer<br>ODB |       |       |
| Drawing No.<br>3635-0020-UD-08 |                |       | Status<br>Approved         |                 | 1:1   | 1(1)  |