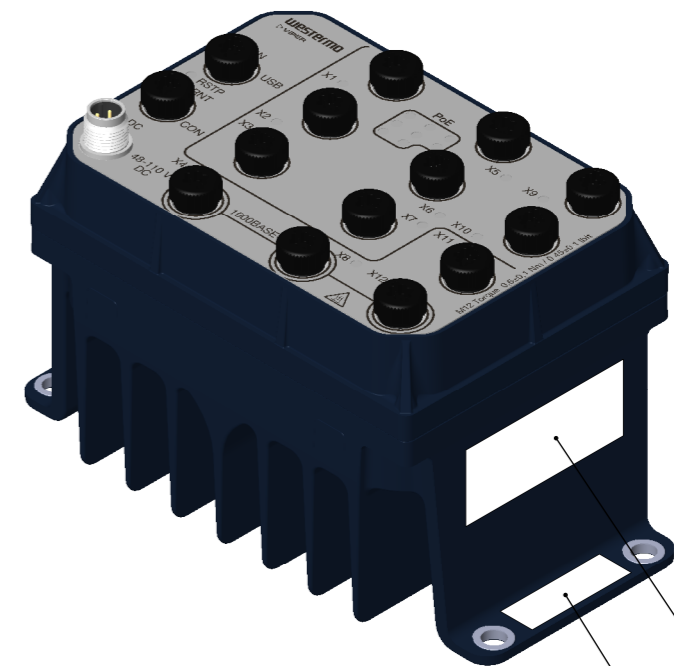
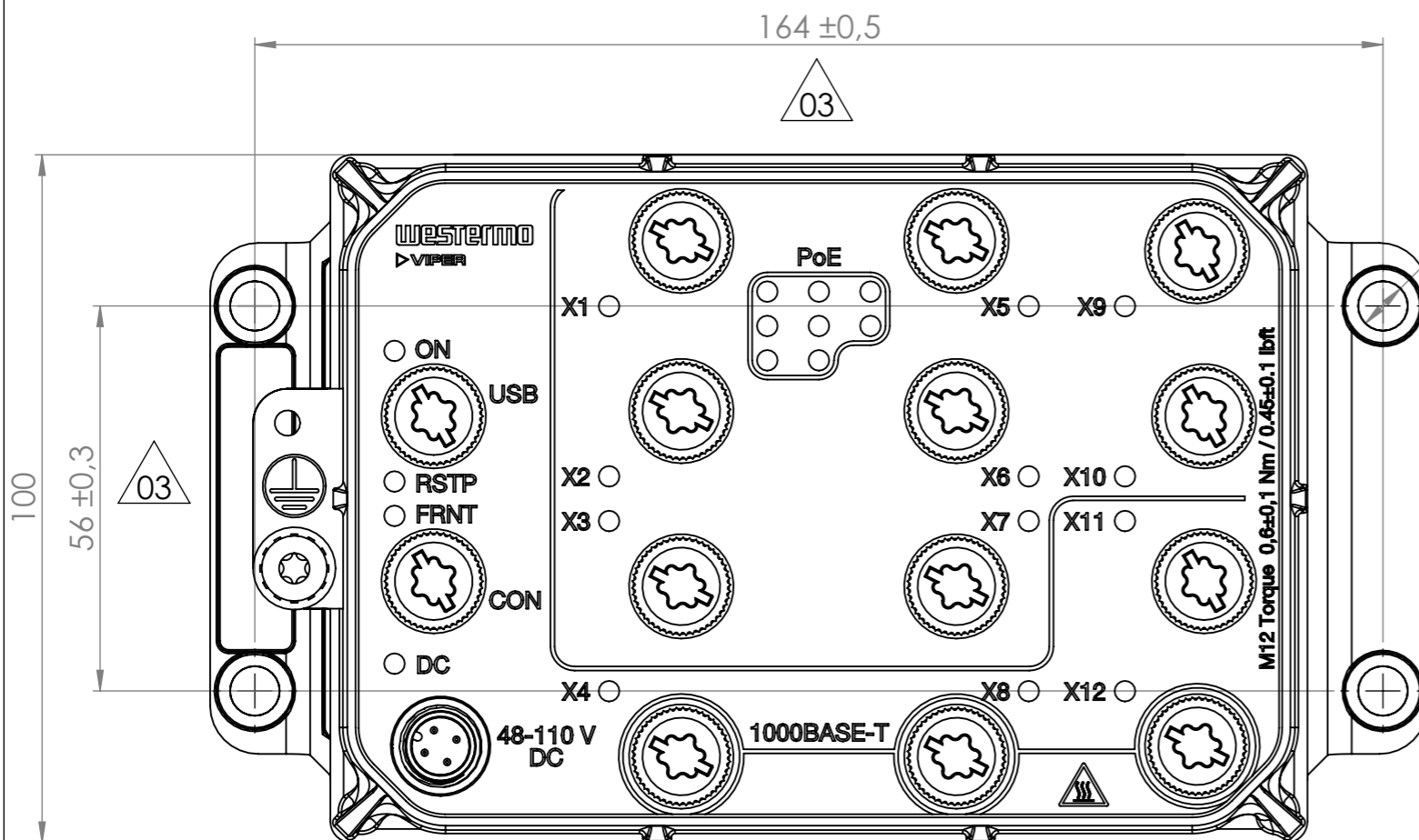


REVISIONS				
Rev	Description	Designer	Approved	Date
02	DC was PWR, 178 was 177	KTN	KLI	2106-11-16
03	Grounding point info added, Tolerances added	KTN	KLI	2017-08-15
04	Change of product color and overlay	ODB	KLI	2020-06-24



Label: Product name, P/N, S/N, QR-code

Label: P/N, Type, Power, MAC, S/N, QR-code

Units in millimeter (mm)

	Material/Notes	Notes	Tolerance $\pm 1,5$ mm	
	Denomination <b>Viper-212A-T3G-P8-HV</b>		Designer <b>KTN</b>	Approved <b>KLI</b>
Drawing No. <b>3635-0420-UD-04</b>			Scale <b>1:1</b>	Sheet <b>1(1)</b>
			Status <b>Approved</b>	