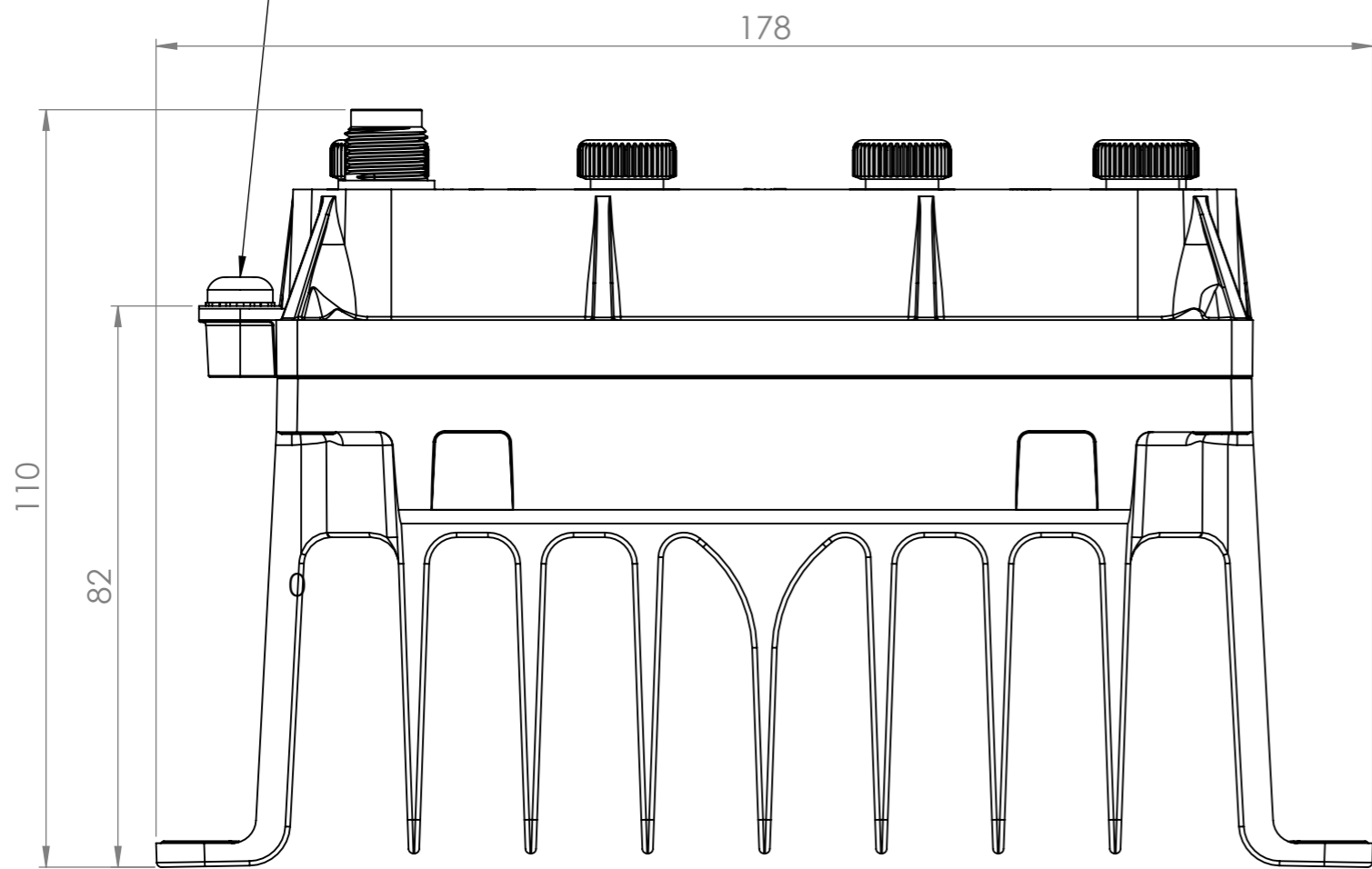
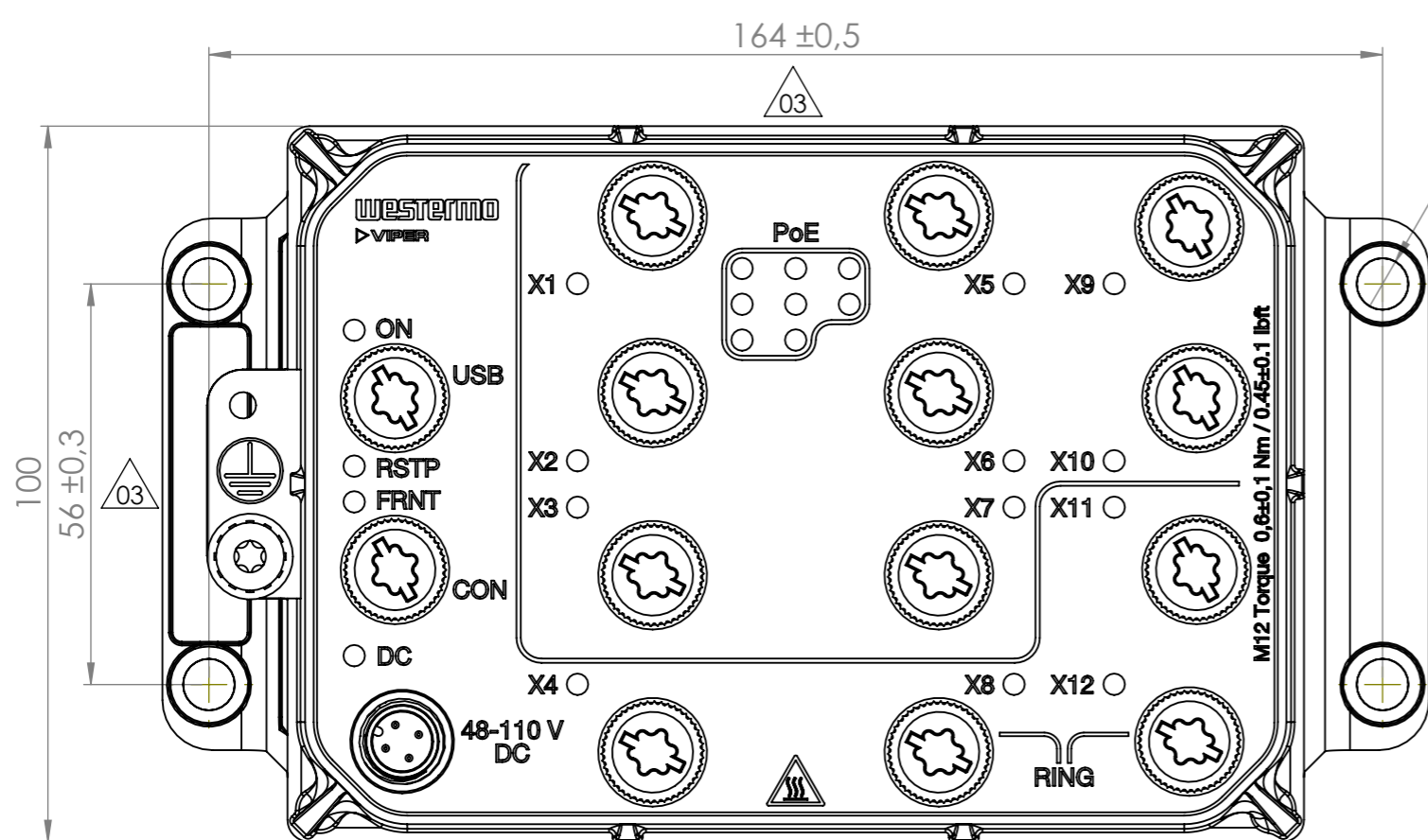


Grounding point  
Screw M5x10



+1  
3,5 -0,5

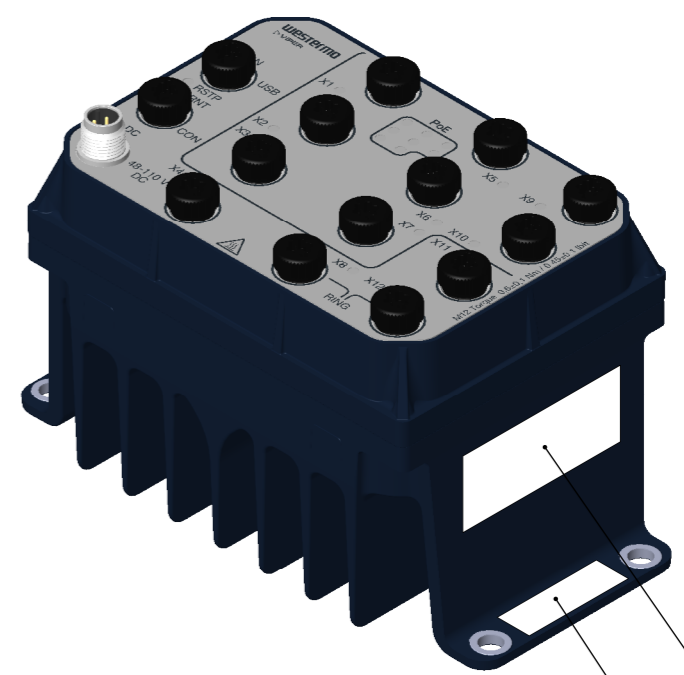


+0,2  
Ø7,2 -0,5



REVISIONS

| Rev | Description                                  | Designer | Approved | Date       |
|-----|--|----------|----------|------------|
| 02  | DC was PWR, 178 was 177                      | KTN      | KLI      | 2016-11-16 |
| 03  | Grounding point info added, Tolerances added | KTN      | KLI      | 2017-08-15 |
| 04  | Change of product color and overlay          | ODB      | KLI      | 2020-06-23 |



Label: Product name, P/N, S/N, QR-code

Label: P/N, Type, Power, MAC, S/N, QR-code

Units in millimeter (mm)

© 2020 Westermo Network Technologies AB - All rights reserved

|                                |  |                        |                 |                    |       |
|--------------------------------|--|------------------------|-----------------|--------------------|-------|
| Material/Notes<br>Notes        | Denomination<br><b>Westermo Viper 212A P8 HV</b> | Tolerance $\pm 1,5$ mm |                 | Scale              | Sheet |
|                                |  | Designer<br>ODB        | Approved<br>KLI | Date<br>2020-06-23 | 1:1   |
| Drawing No.<br>3635-0120-UD-04 |  | Status<br>Approved     |                 |                    |       |