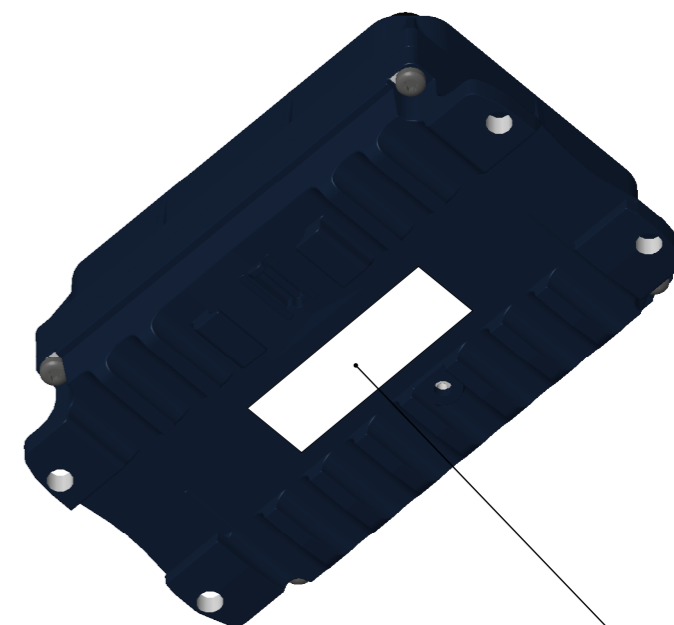
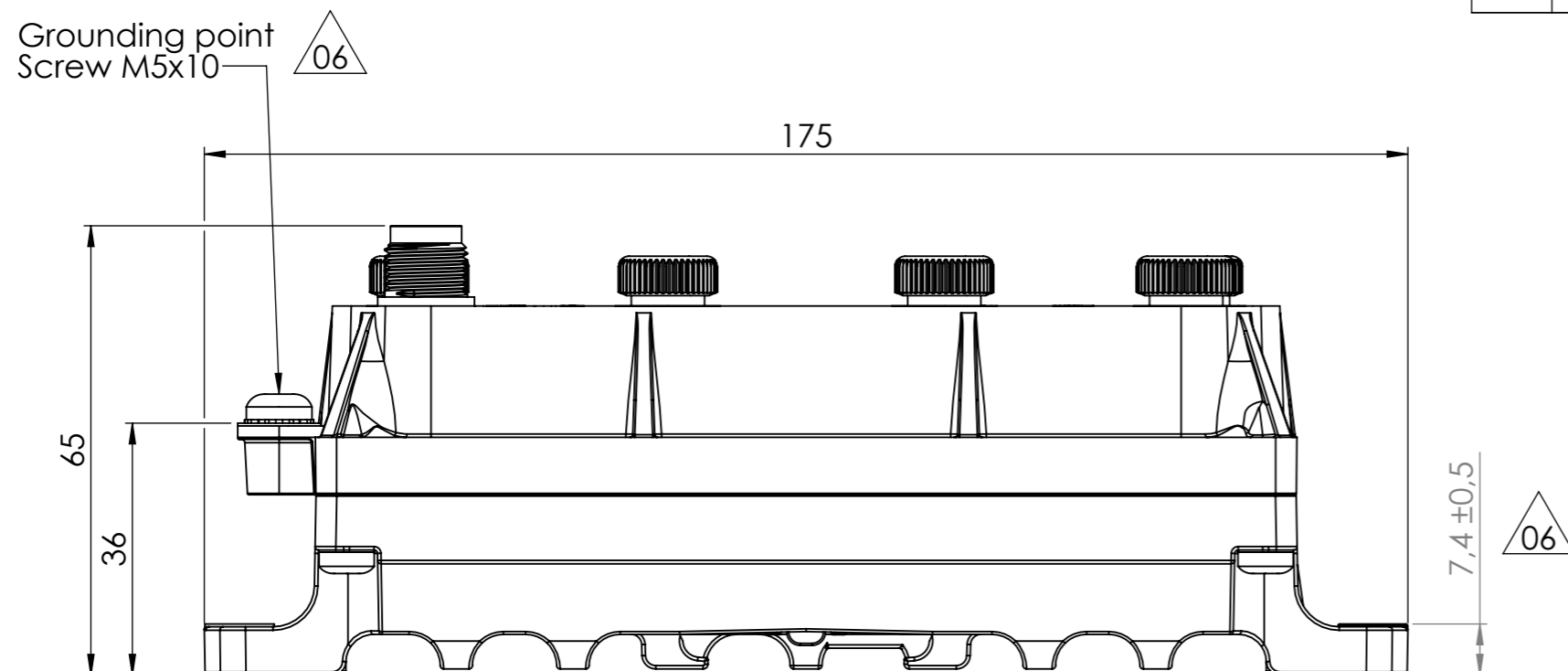


REVISIONS

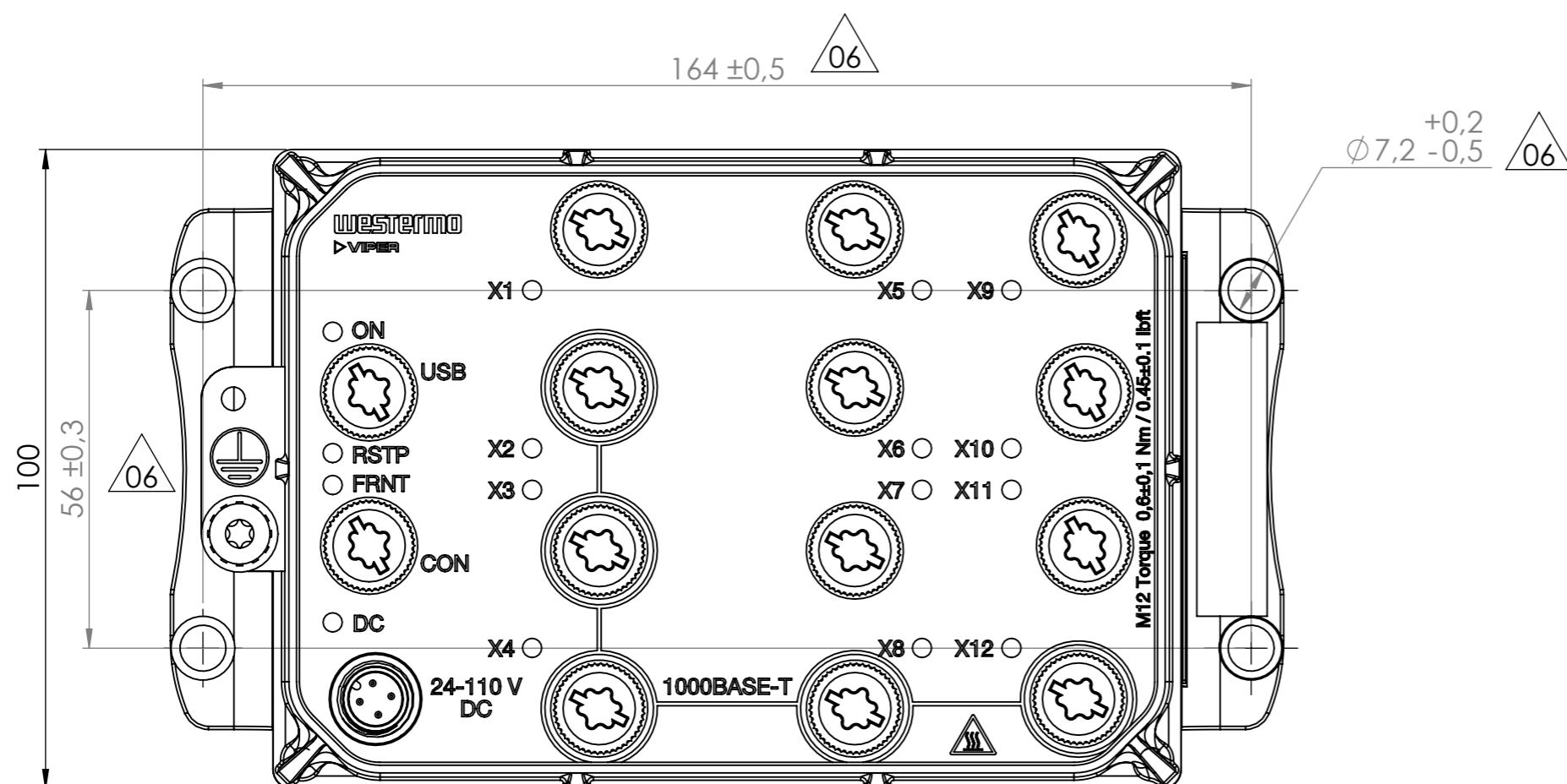
Rev	Description	Designer	Approved	Date
05	DC was PWR	KTN	KLI	2016-11-16
06	Grounding point info added, Tolerances added	KTN	KLI	2017-08-15
07	Change of product color and overlay	ODB	KLI	2020-06-25



Label: P/N, Type, Power, MAC, S/N, QR-code



Label: Product name, P/N, S/N, QR-code



Units in millimeter (mm)

	Denomination Viper 212A-T5G	Tolerance ±1 mm		Scale	Sheet
		Designer ODB	Approved KLI	Date 2020-06-25	1:1
Drawing No. 3635-0620-UD-07		Status Approved			