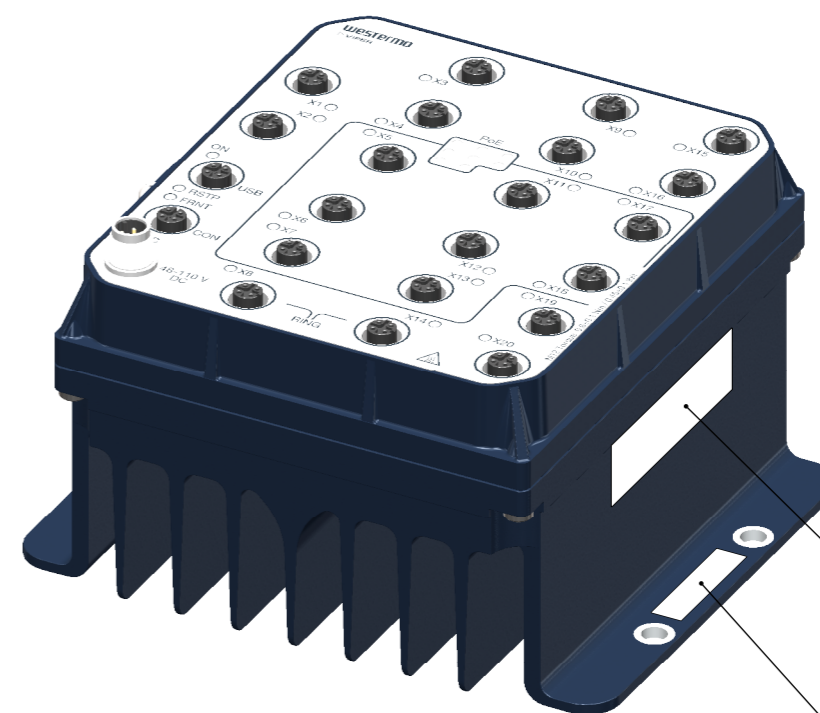
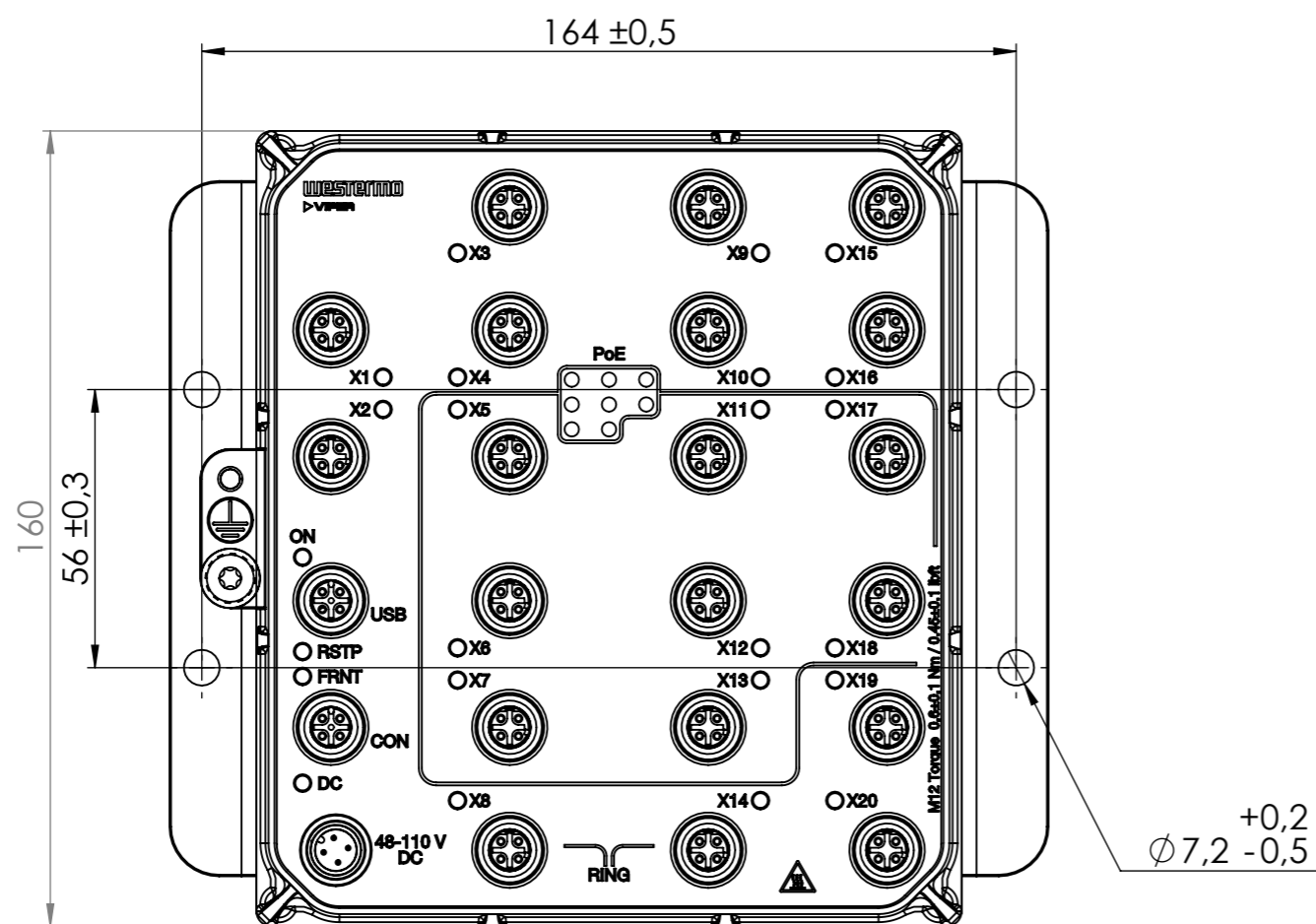
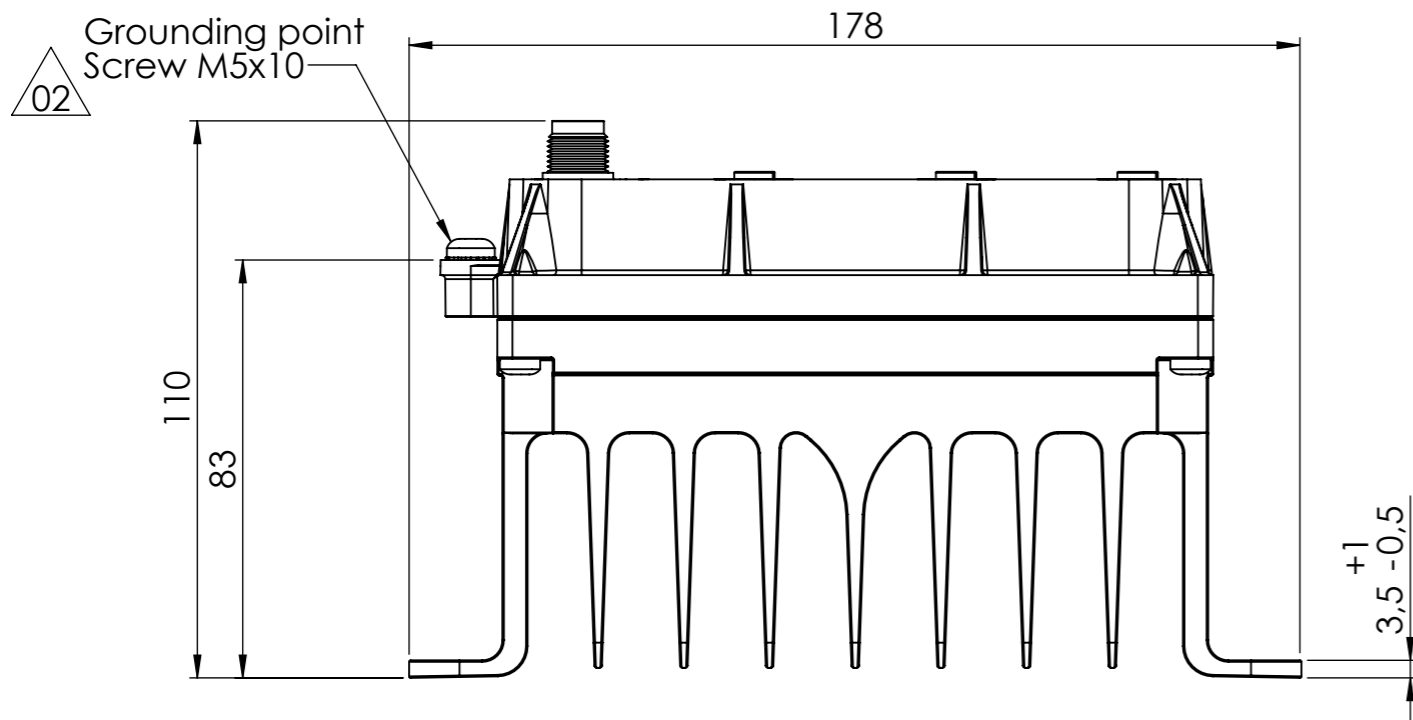


REVISIONS

Rev	Description	Designer	Approved	Date
01	Created	KTN	KLI	2017-04-04
02	Grounding point info added	KTN	KLI	2017-08-14
03	Change of product color and overlay	ODB	KLI	2020-06-24



Label: Product name, P/N, S/N, QR-code

Label: P/N, Type, Power, MAC, S/N, QR-code

Units in millimeter (mm)

	Denomination Viper-220A-P8-HV	Tolerance ±1,5 mm		Designer ODB	Approved KLI	Date 2020-06-24	Scale 2:3	Sheet 1(1)
		Drawing No. 3635-1020-UD-03		Status Approved				