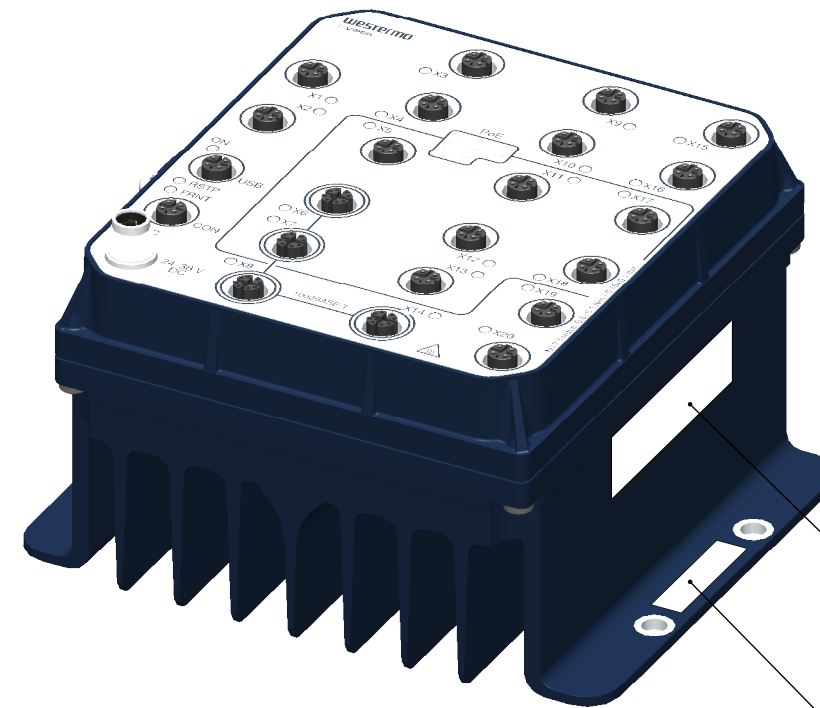


REVISIONS				
Rev	Description	Designer	Approved	Date
03	Grounding point info added, Tolerances added	KTN	KLI	2017-08-14
04	Article number changed from 1320 to 1420	KTN	KLI	2018-04-27
05	Change of product color and overlay	ODB	KLI	2020-06-25



Label: Product name, P/N, S/N, QR-code

Label: P/N, Type, Power, MAC, S/N, QR-code

Units in millimeter (mm)

	Denomination Viper 220A -T4G - P8 - LV	Tolerance		Scale	Sheet
		±1,5 mm			
Material/Notes		Notes		Designer	Approved
				ODB	KLI
		Date		2020-06-25	2:3
Drawing No.		Status		1(1)	
3635-1420-UD-05		Approved			