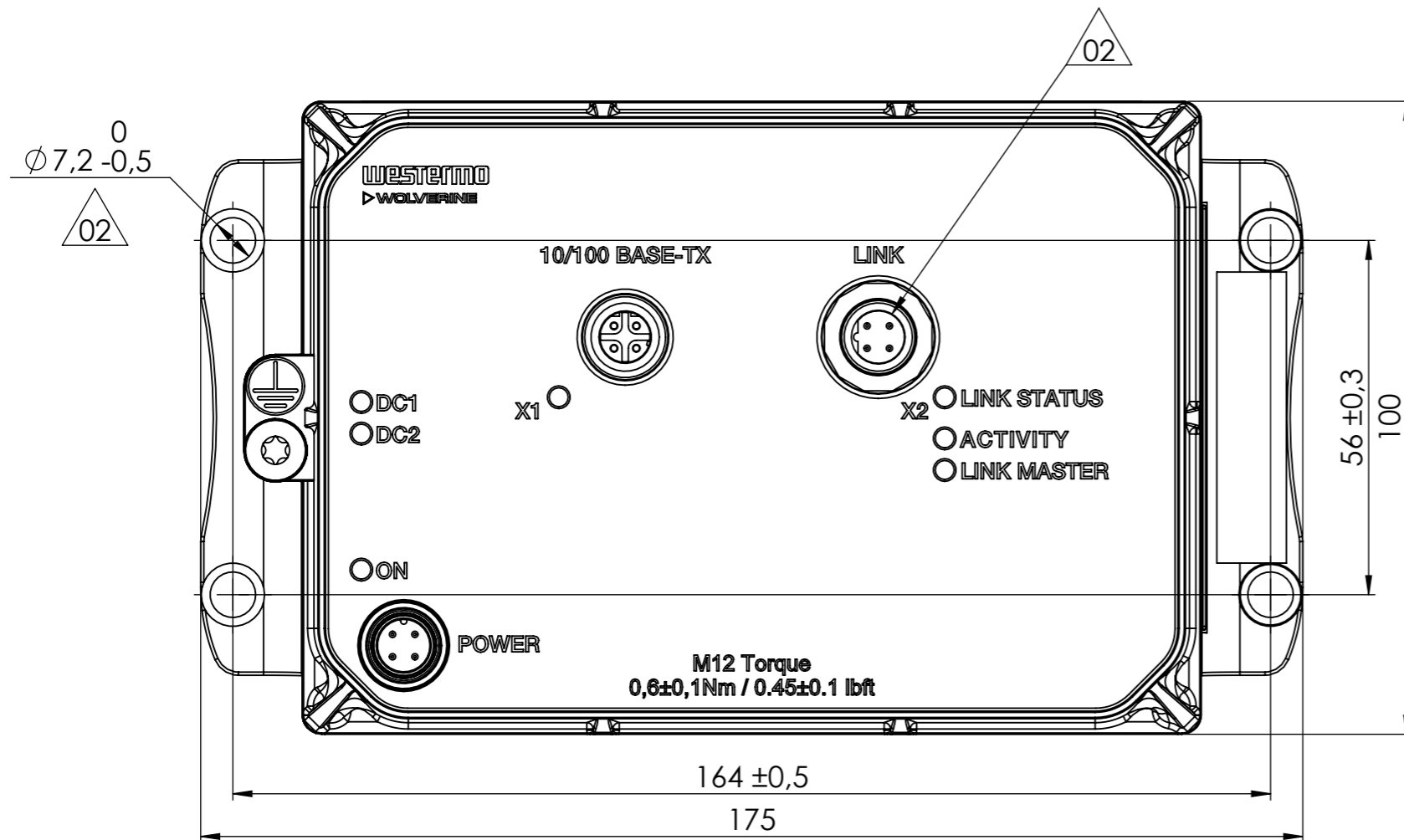
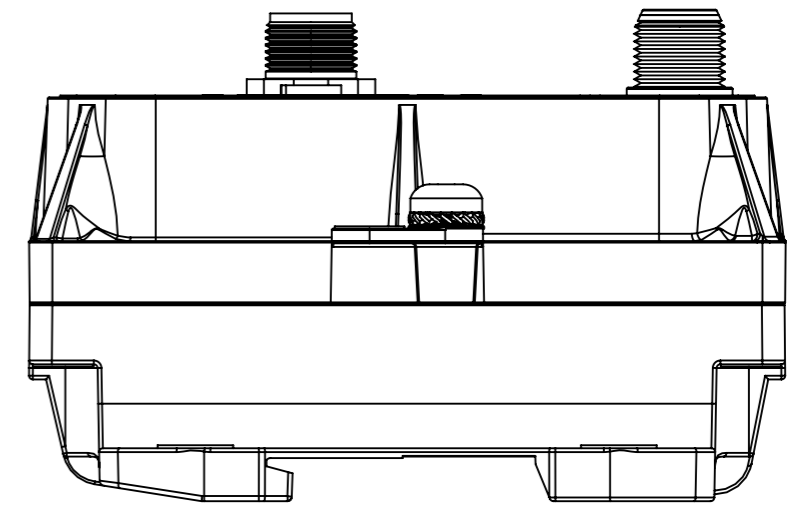
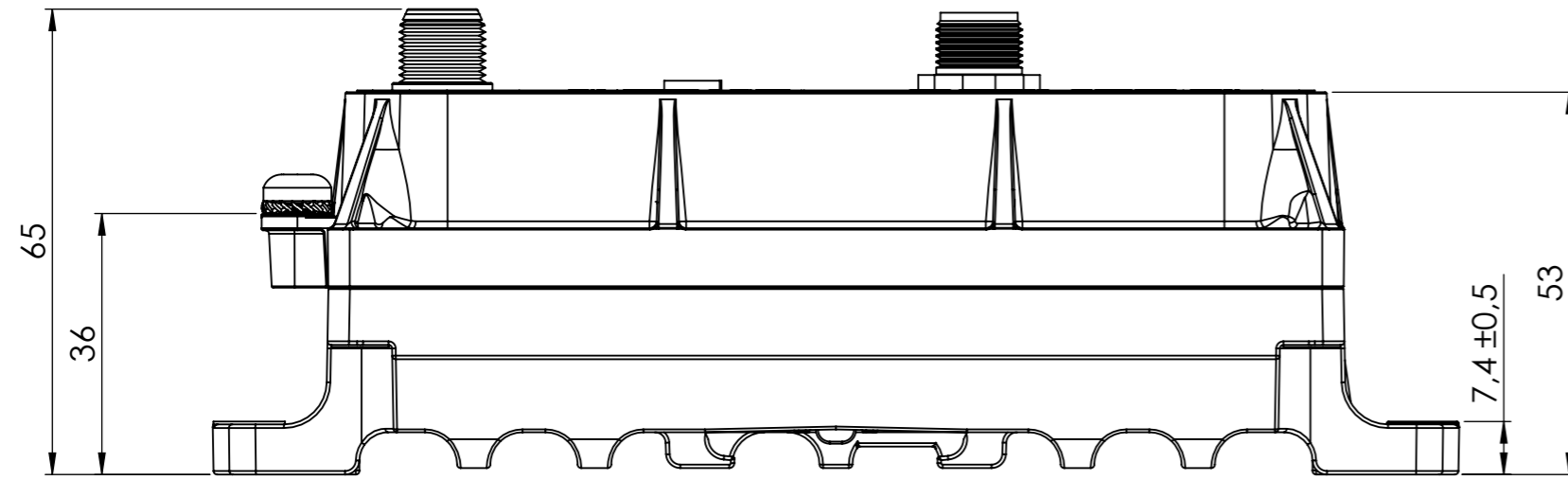


REVISIONS

| Rev | Description | Designer | Approved | Date |
|-----|---|----------|----------|------------|
| 01 | Created | PWM | TDN | 2015-09-29 |
| 02 | Connector 4 pin was 5 pin; DIM Ø7,2 was Ø6,5 | KTN | TDN | 2016-10-13 |
| 03 | Change of product color and overlay. Added tolerances | KTN | KLI | 2020-06-24 |



| | | | | | |
|-----------------------------|--|-------------------------|--|-----------------|----------|
| Material/Notes | | Notes | | Tolerance ±1 mm | |
| | | Denomination DDW-002-B1 | | Designer | Approved |
| | | | | ODB | KLI |
| Drawing No. 3641-0900-UD-03 | | Date 2020-06-24 | | Scale | Sheet |
| | | | | 1:1 | 1(1) |
| Status | | Approved | | Status | |
| | | | | Approved | |