

8 7 6 5 4 3 2 1

F

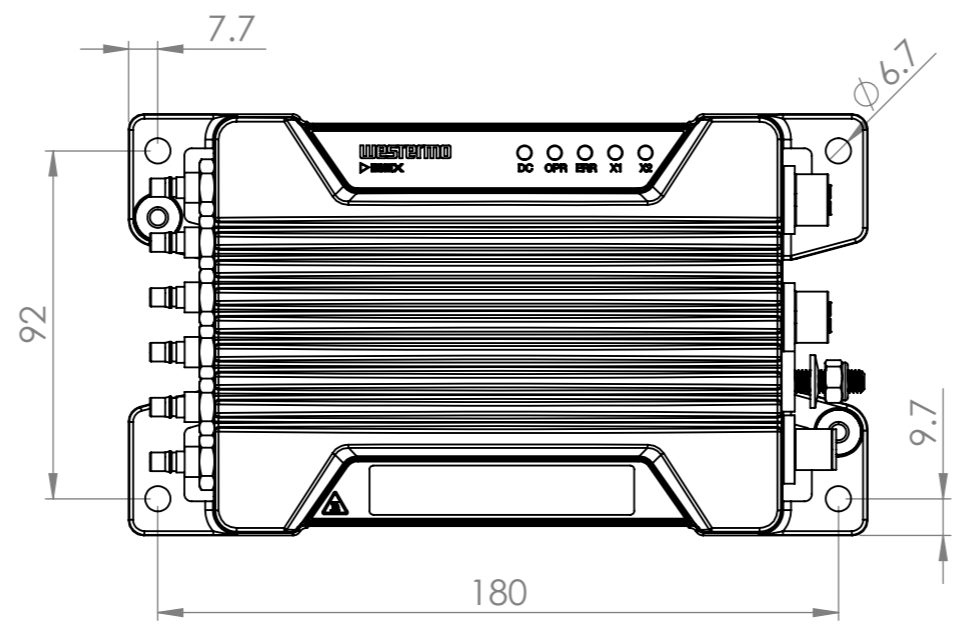
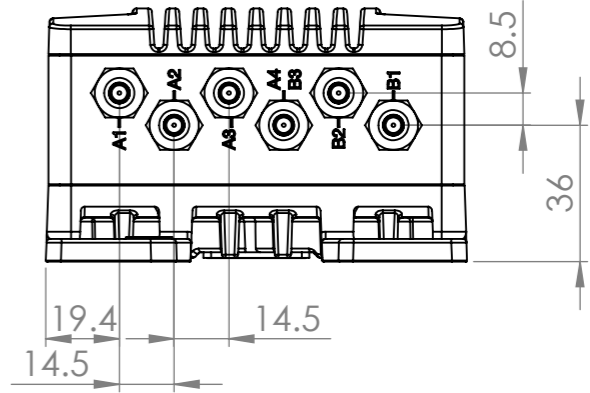
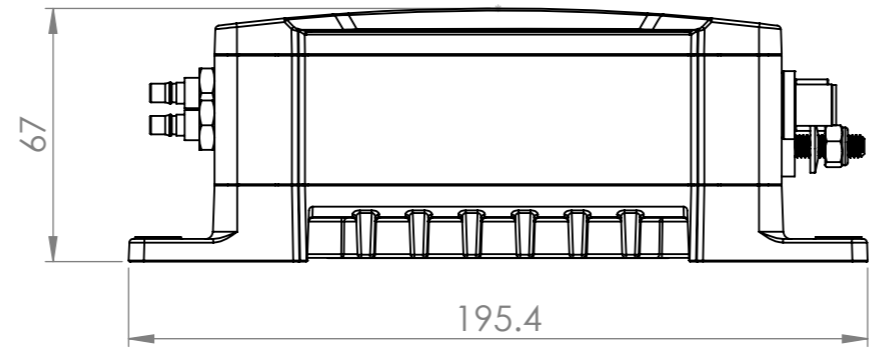
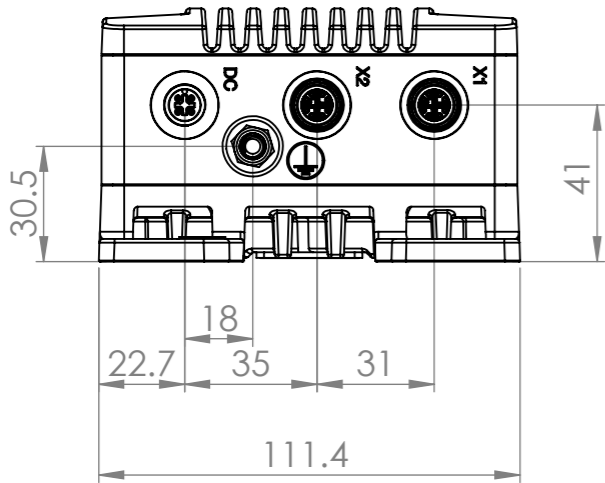
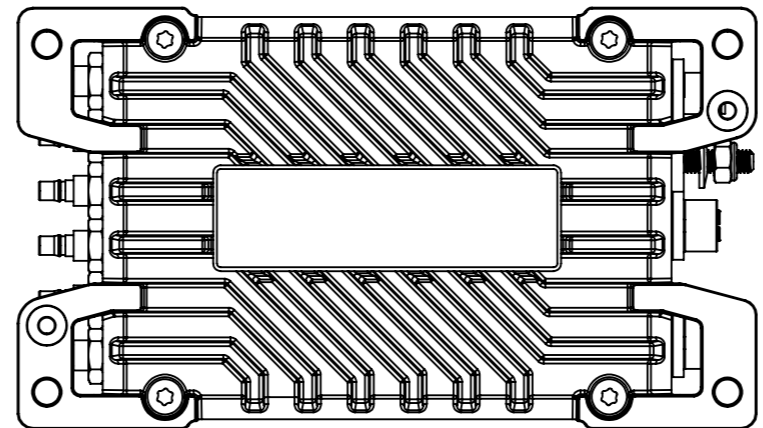
E

D

C

B

A



	MATERIAL: -	FINISH: -		
	FIRST ANGLE	ORIGINAL SIZE	SCALE:1:2	
		A3		
PRODUCT: Ibex-RT-610		Unless otherwise specified: - Dimensions are in millimeters		
NAME: Dimensions	PART NO.: 105489	SHEET 1 OF 1	REV. VER. NAME / DATE	APPROVED / DATE
			- 01 chrha / 29.07.2020 steha / 29.07.2020	
			- 02 chrha / 21.08.2020 steha / 12.08.2020	
			- 03 chrha / 14.05.2021 marho / 14.05.2021	
			- 04 chrha / 27.01.2022 steha / 31.01.2022	

8 7 6 5 4 3 2 1