

8 7 6 5 4 3 2 1

F

F

E

E

D

D

C

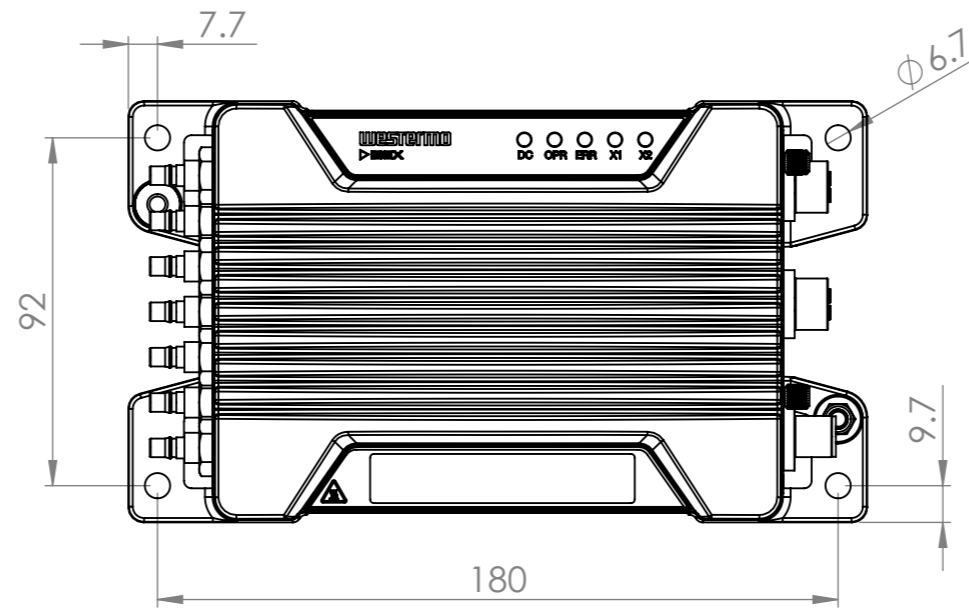
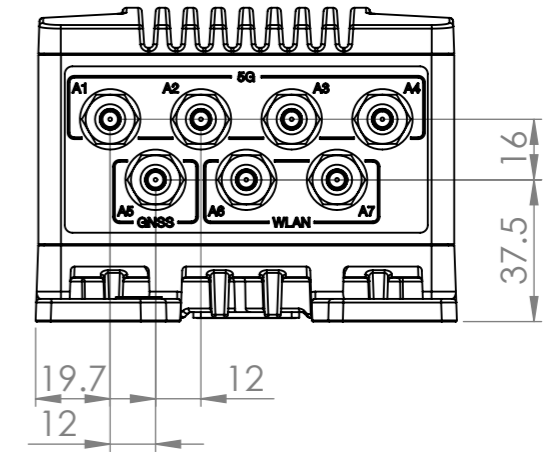
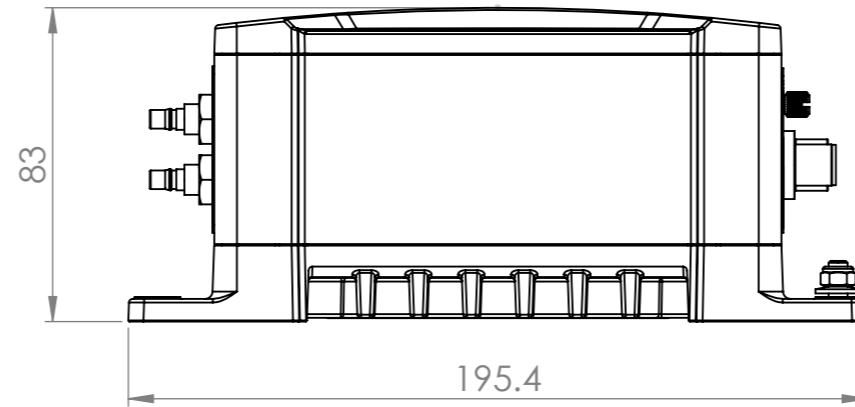
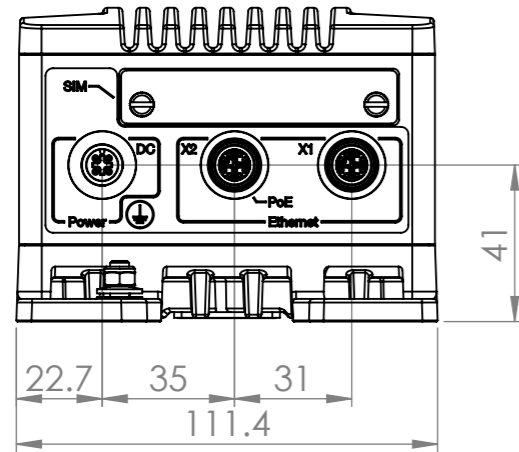
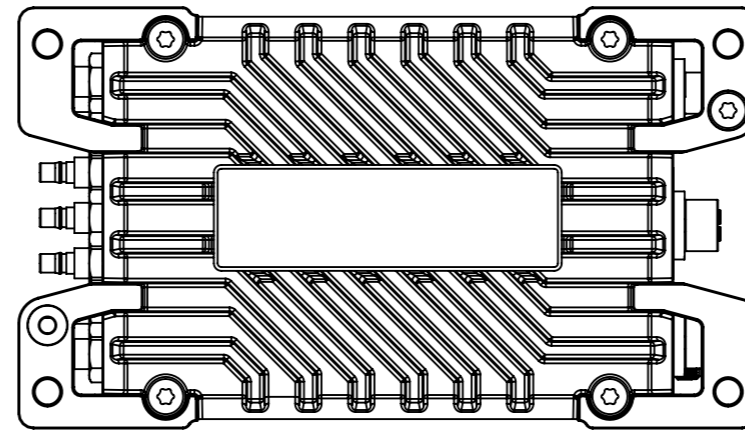
C

B

B

A

A



	MATERIAL: -		FINISH: -	
	FIRST ANGLE	ORIGINAL SIZE	SCALE:1:2	
		A3		
Unless otherwise specified: - Dimensions are in millimeters				
PRODUCT: <b>Ibex-RT-630-5G</b>	PART NO.: <b>N106342</b>	SHEET 1 OF 1	01	1.0 chrha / 11.01.2023 steha / 12.01.2023
NAME: <b>Dimensions</b>			REV. VER. NAME / DATE	APPROVED / DATE

8 7 6 5 4 3 2 1