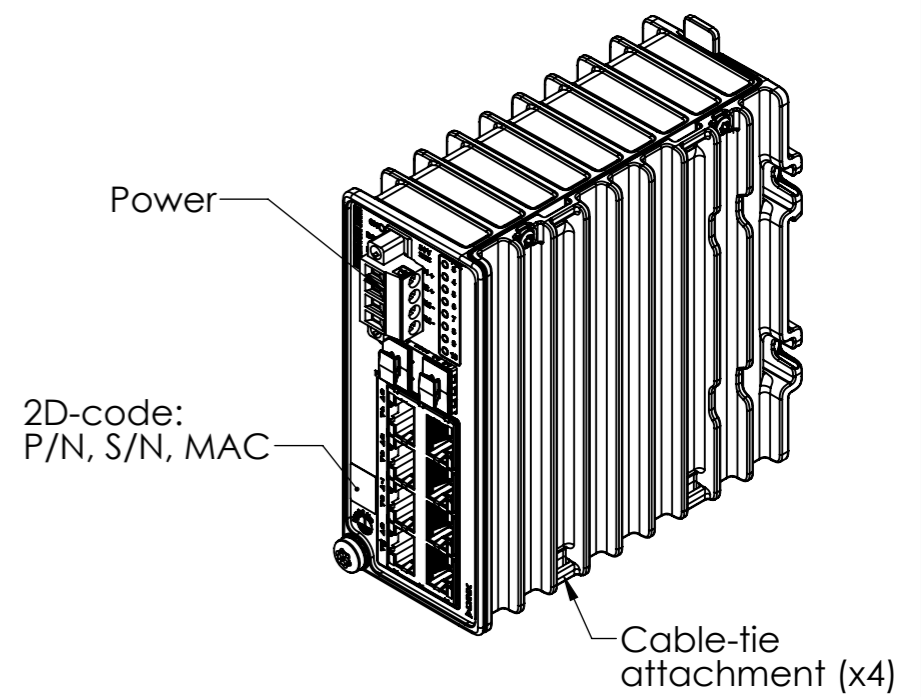
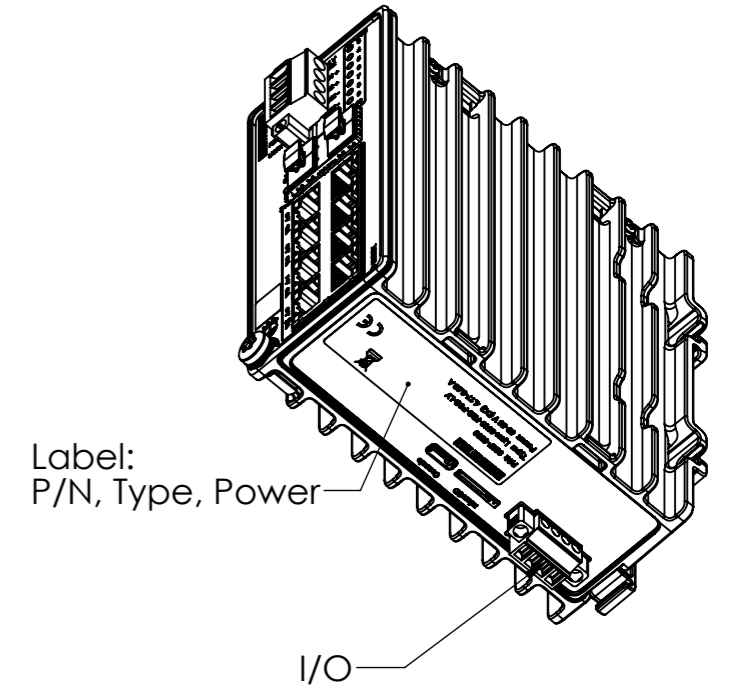
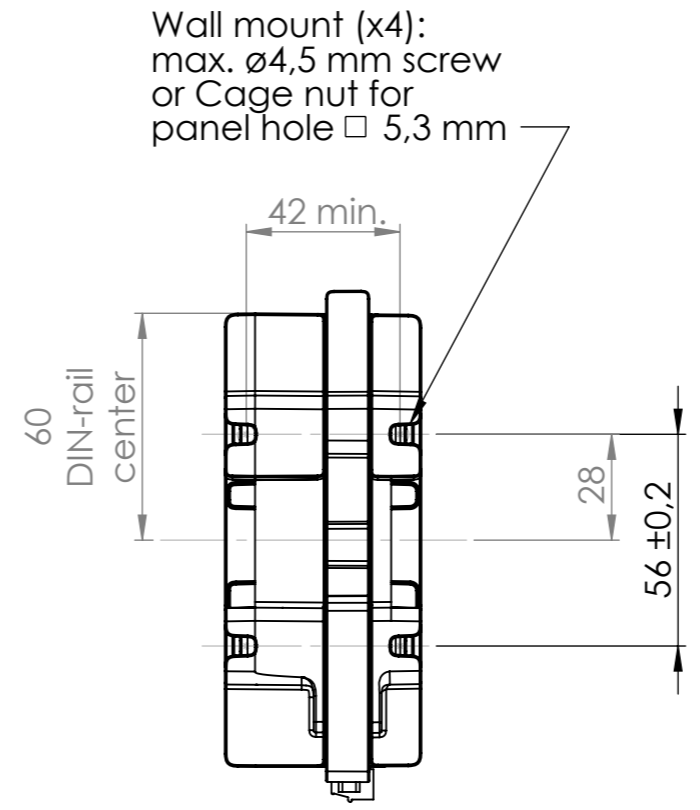
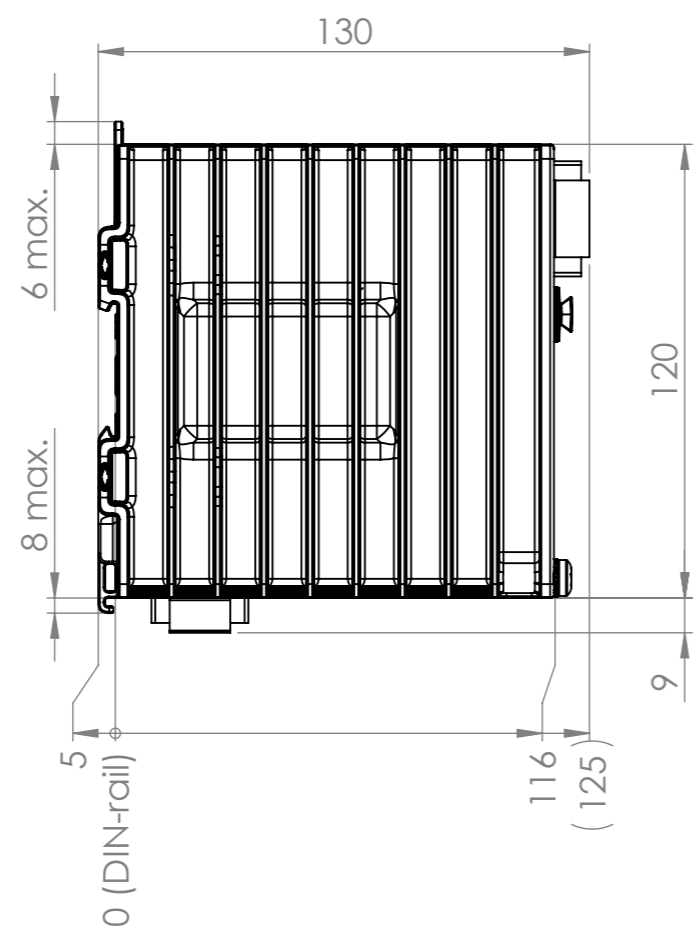
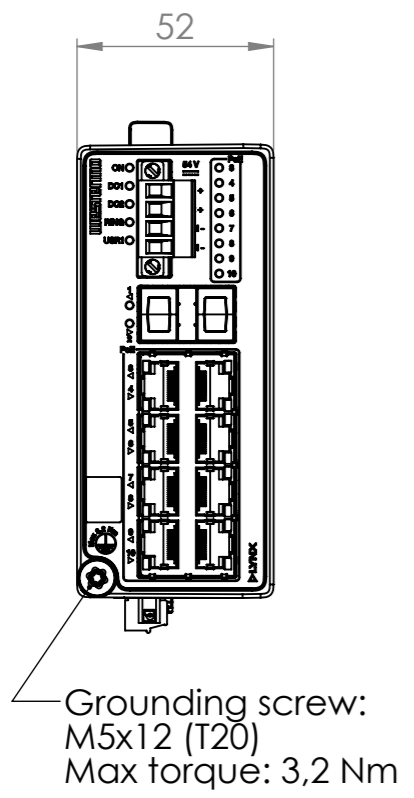
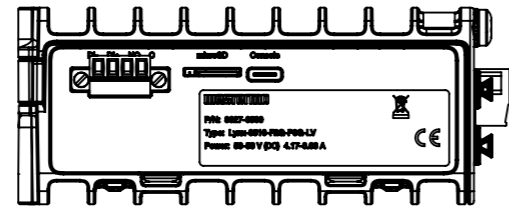


REVISIONS				
Rev	Description	Designer	Approved	Date
01	Created	KTN	KLI	2022-01-10



Units mm	Material/Notes	Notes	Tolerance		Scale	Sheet	
			±1 mm				
WESTERMO Denomination Lynx-3510-F2G-P8G-LV			Designer	Approved	Date	1:2	1(1)
			KTN	KLI	2022-01-10		
Drawing No.			Status				
3627-0500-UD-01			Approved				