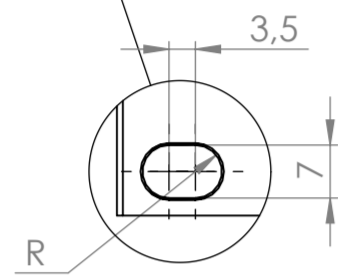
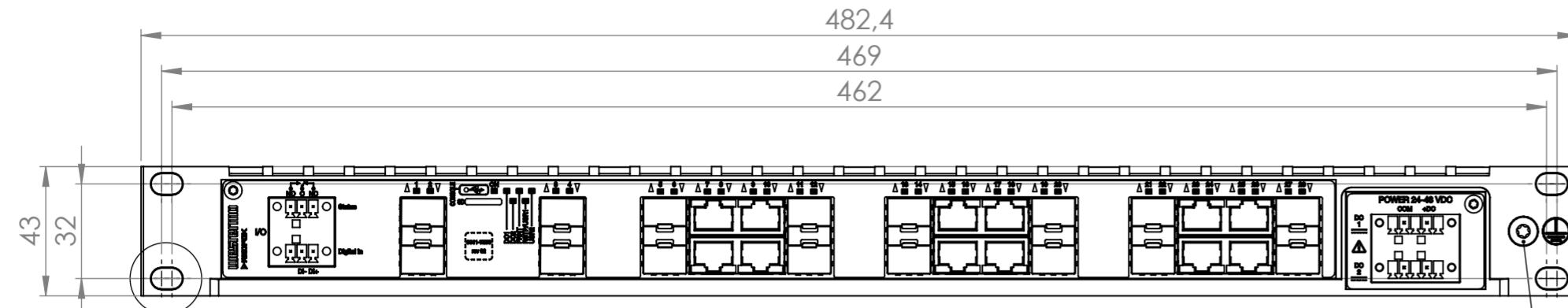
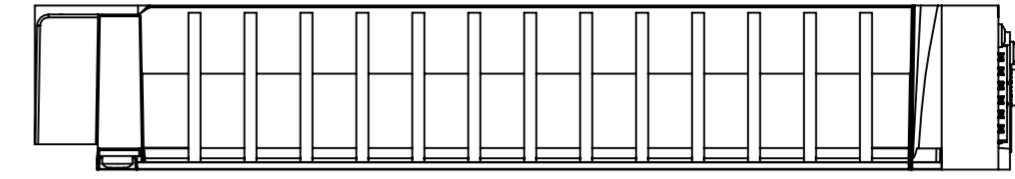


REVISIONS				
Rev	Description	Designer	Approved	Date
01	Created	KTN	KU	2021-06-30

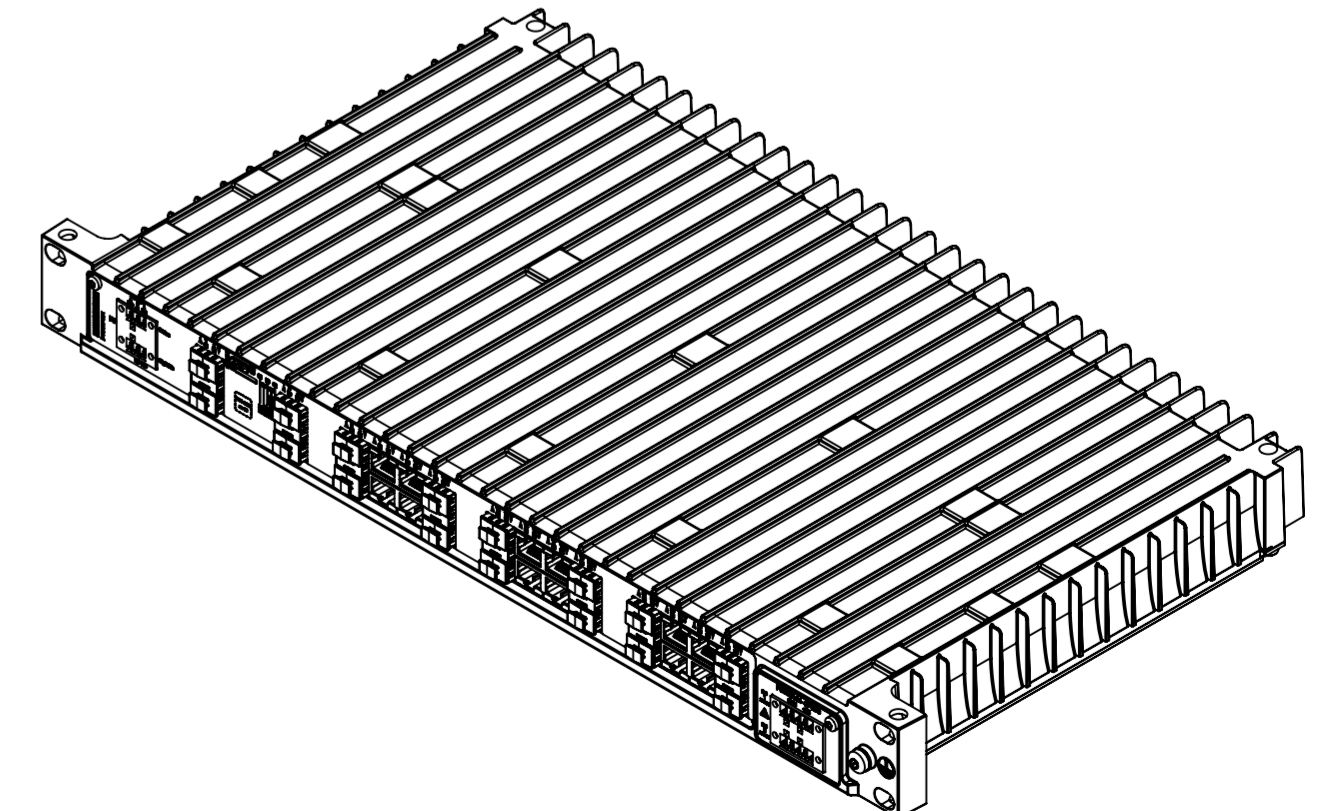
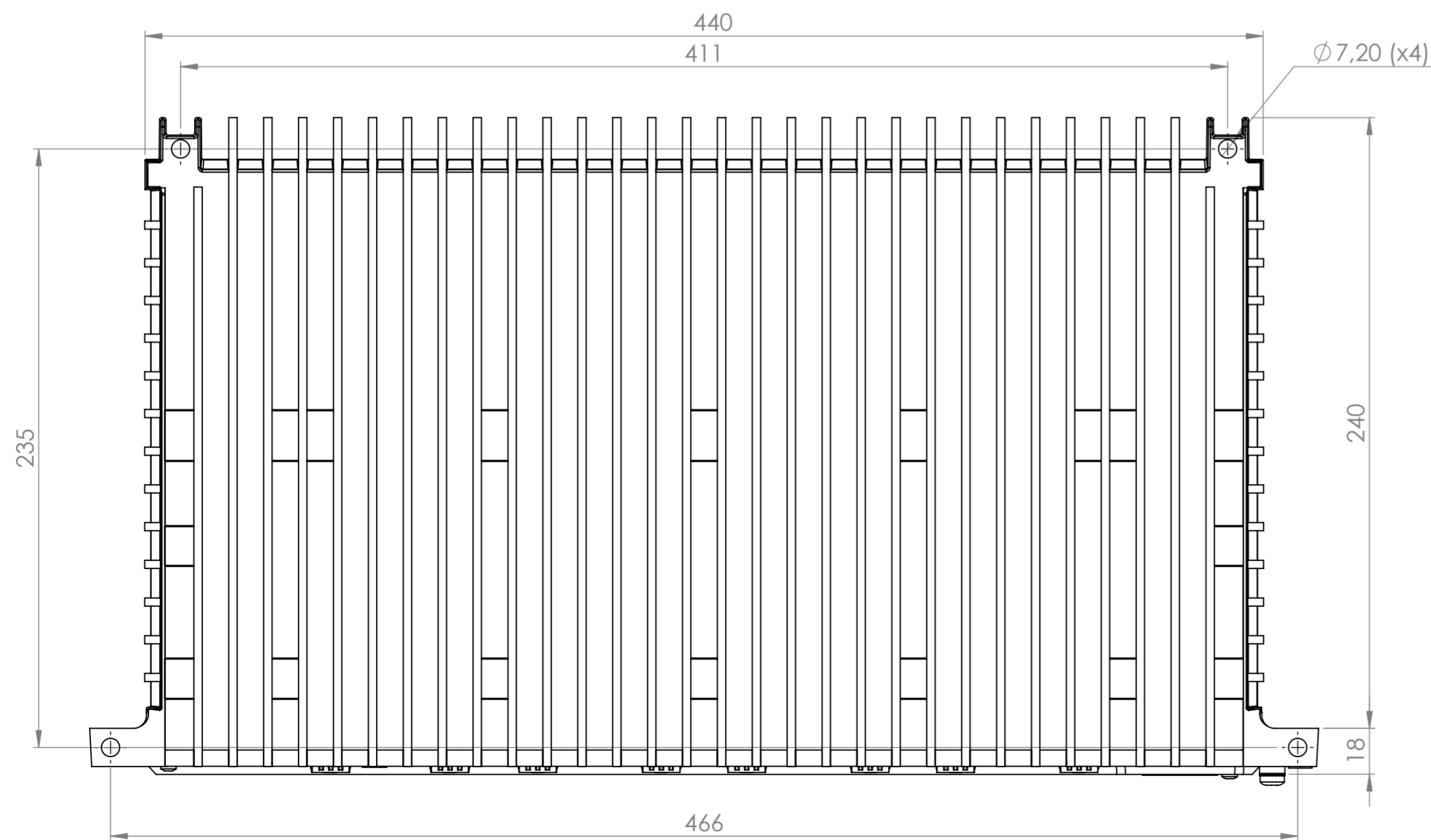
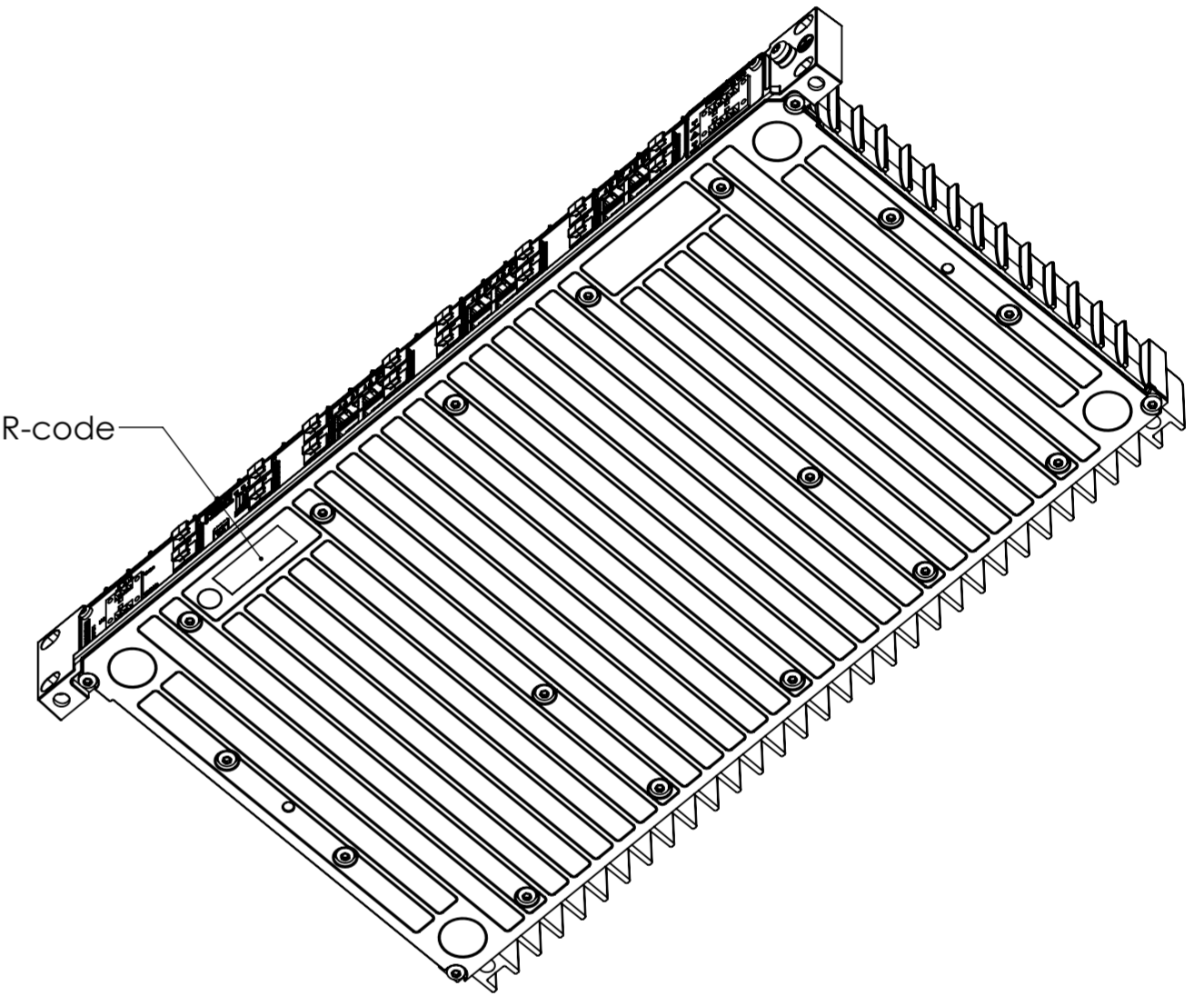


DETAIL A
SCALE 1:1

grounding screw M5x10



Label: P/N, Type, Power, MAC, S/N, QR-code



	RedFox 5728-F16G-T12G-LV	Designer KTN	Approved KLI	Date 2021-06-30	Scale 1:2	Sheet 1(1)
		Drawing No. 3641-4360-UD-01			Status Approved	