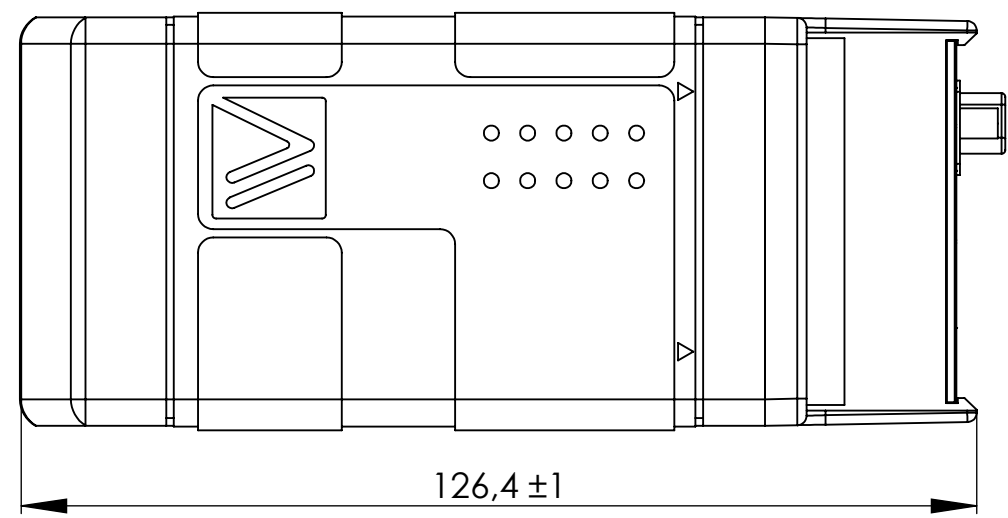
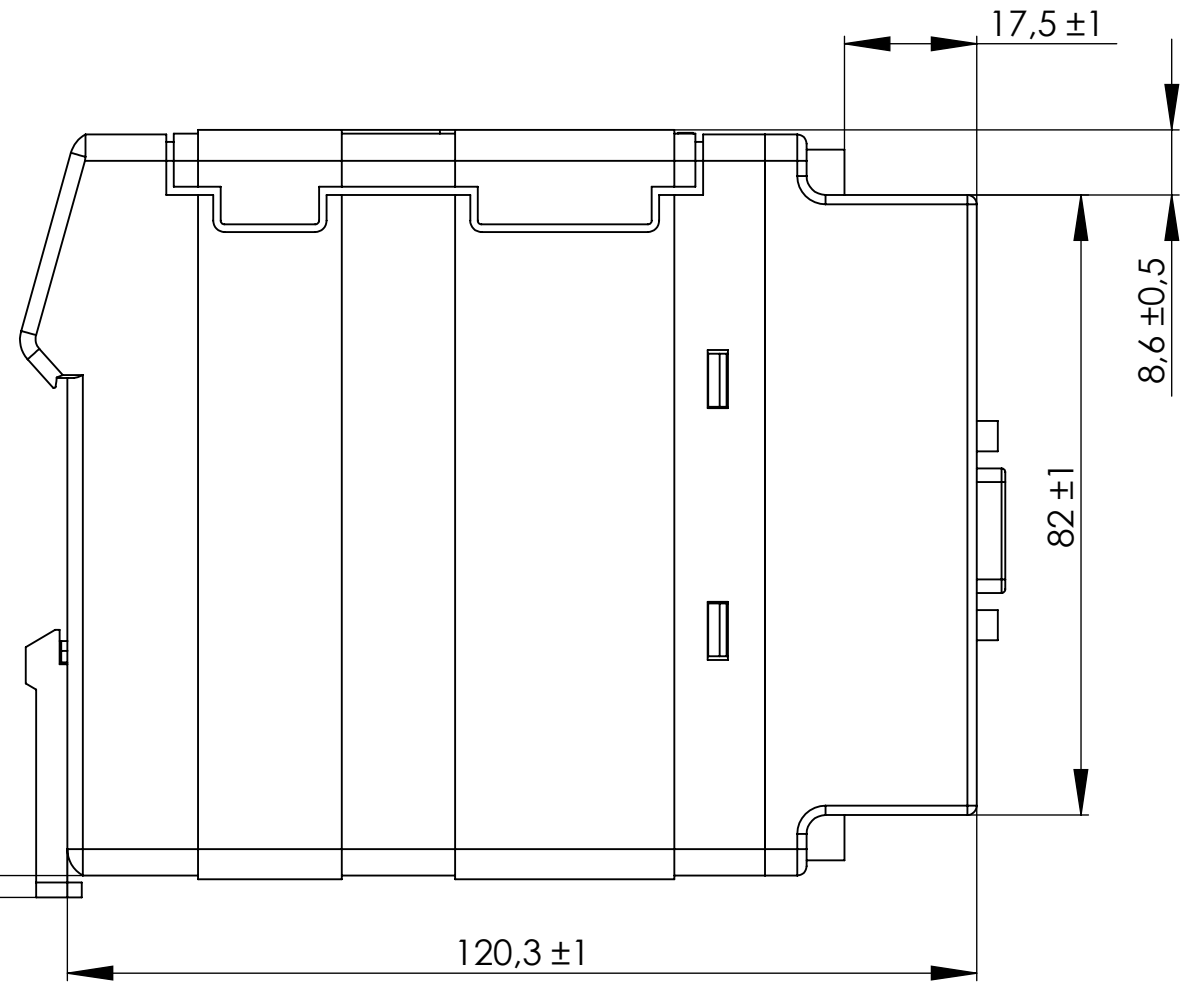


Min 2,9
Max 6,0



Pos No	Quantity	Description	Designation / Dimension	Material / Remark	
		Dimensional Drawing TD-23	Designer	Approved	Date
			PaPu	ToDu	110310
		Drawing No.	Status		Scale
		3600-2051-U-01	Approved		1:1
					Sheet
					1(1)