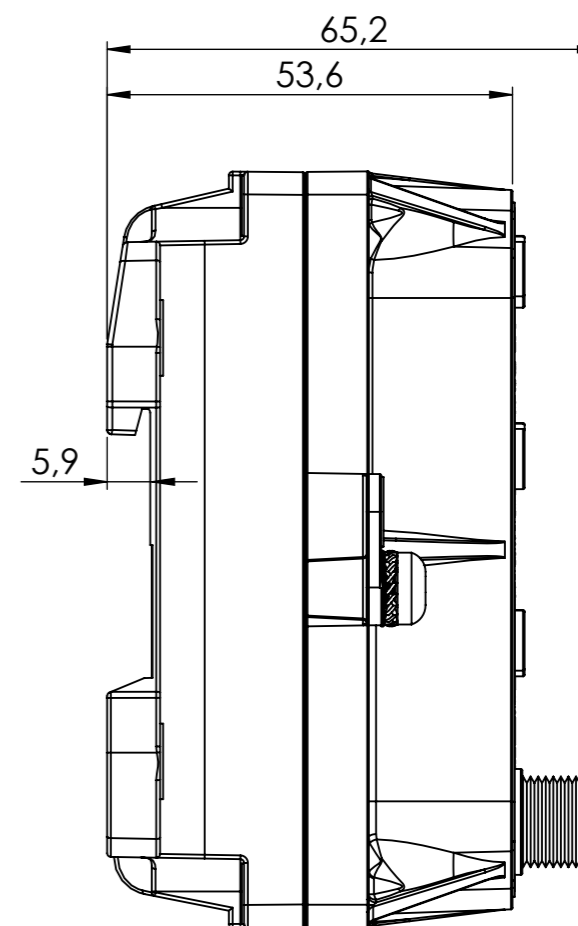
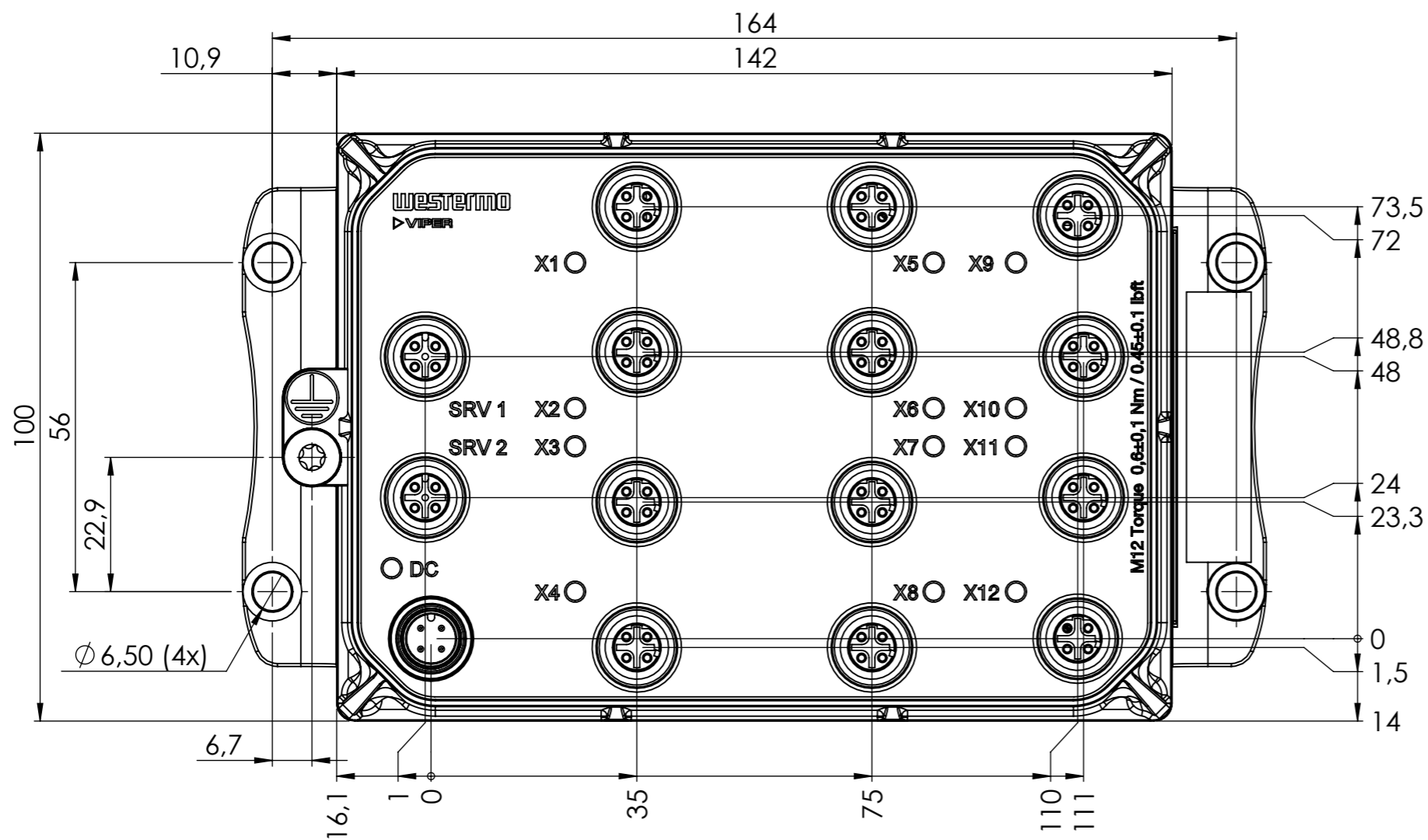
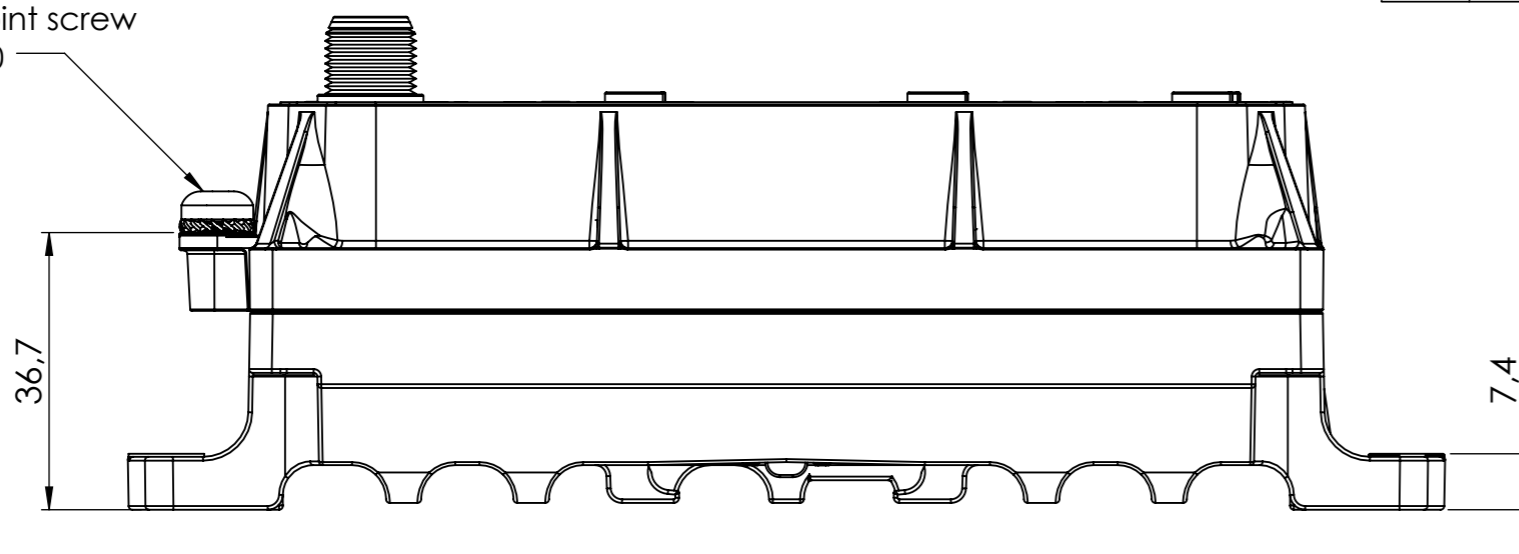


REVISIONS

Rev	Description	Designer	Approved	Date
03	Redrawn from old CAD-system 3641-0540-UD-03 was 3641-0540-U-02.	KTN	KLI	2020-04-15
04	Change of product color and overlay	ODB	KTN	2020-11-06

Grounding point screw  
M5x10



Material/Notes		Notes		Tolerance ±1 mm	
		Denomination <b>Viper-12</b> Dimensional Drawing		Designer	Approved
				KTN	KLI
Drawing No. 3641-0540-UD-04		Date 2020-04-15		Scale	Sheet
				1:1	1(1)
				Status	Approved