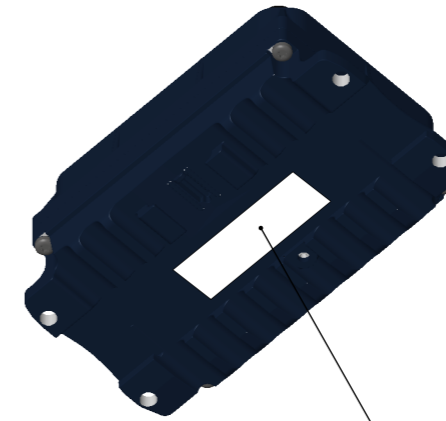
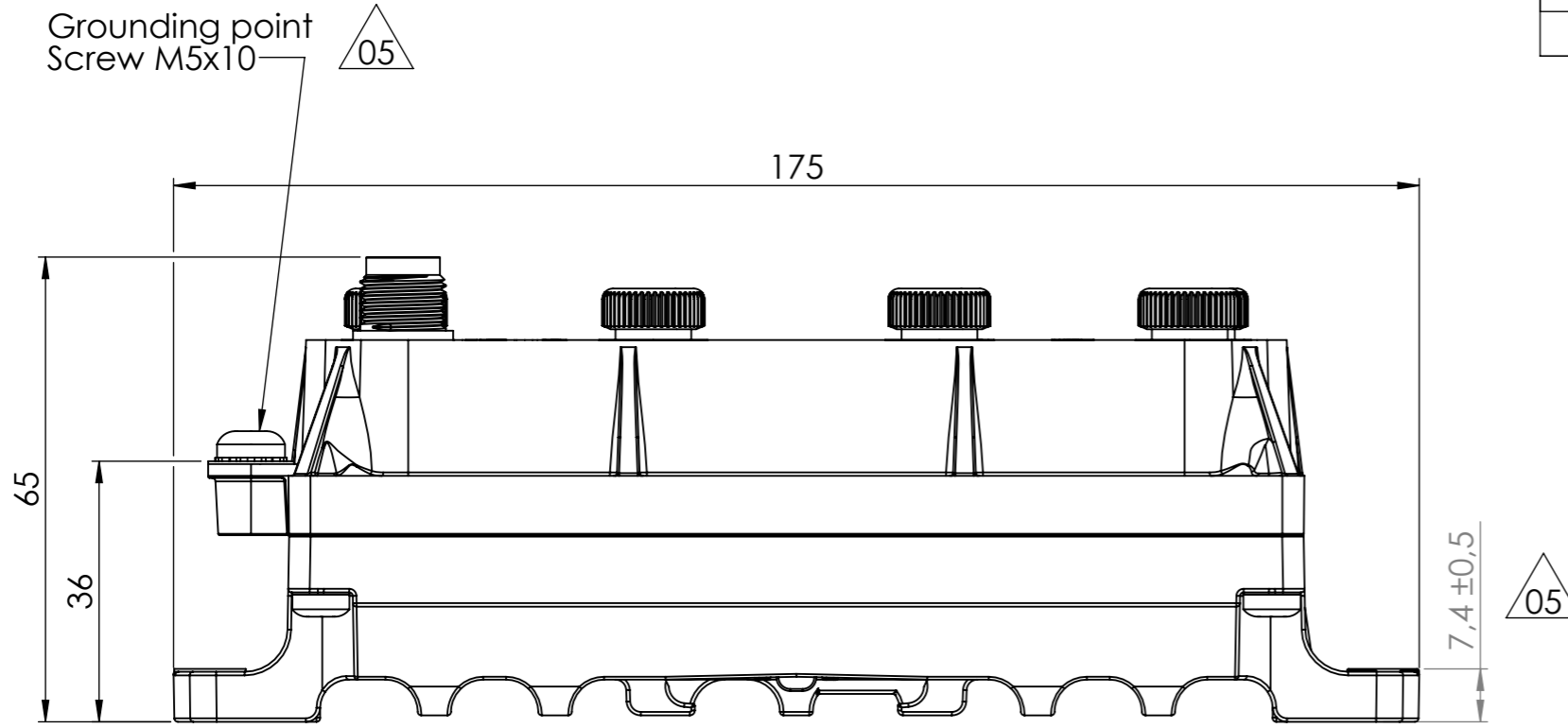


REVISIONS

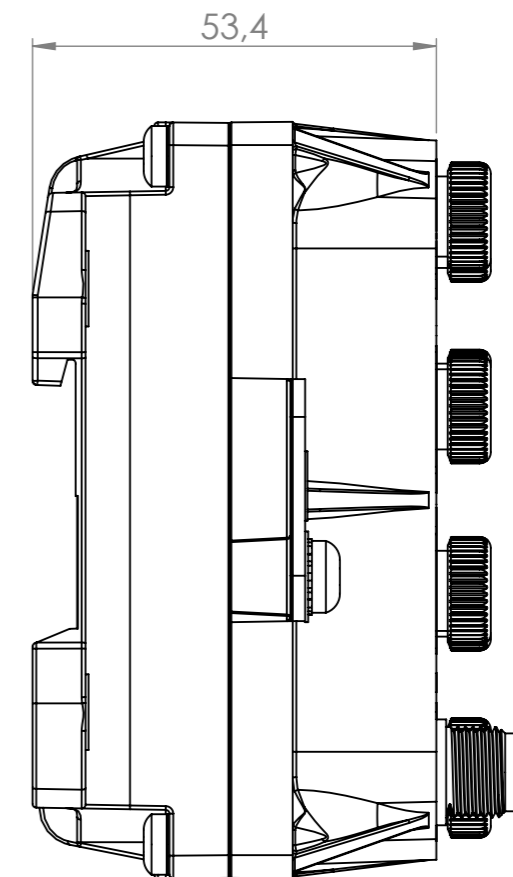
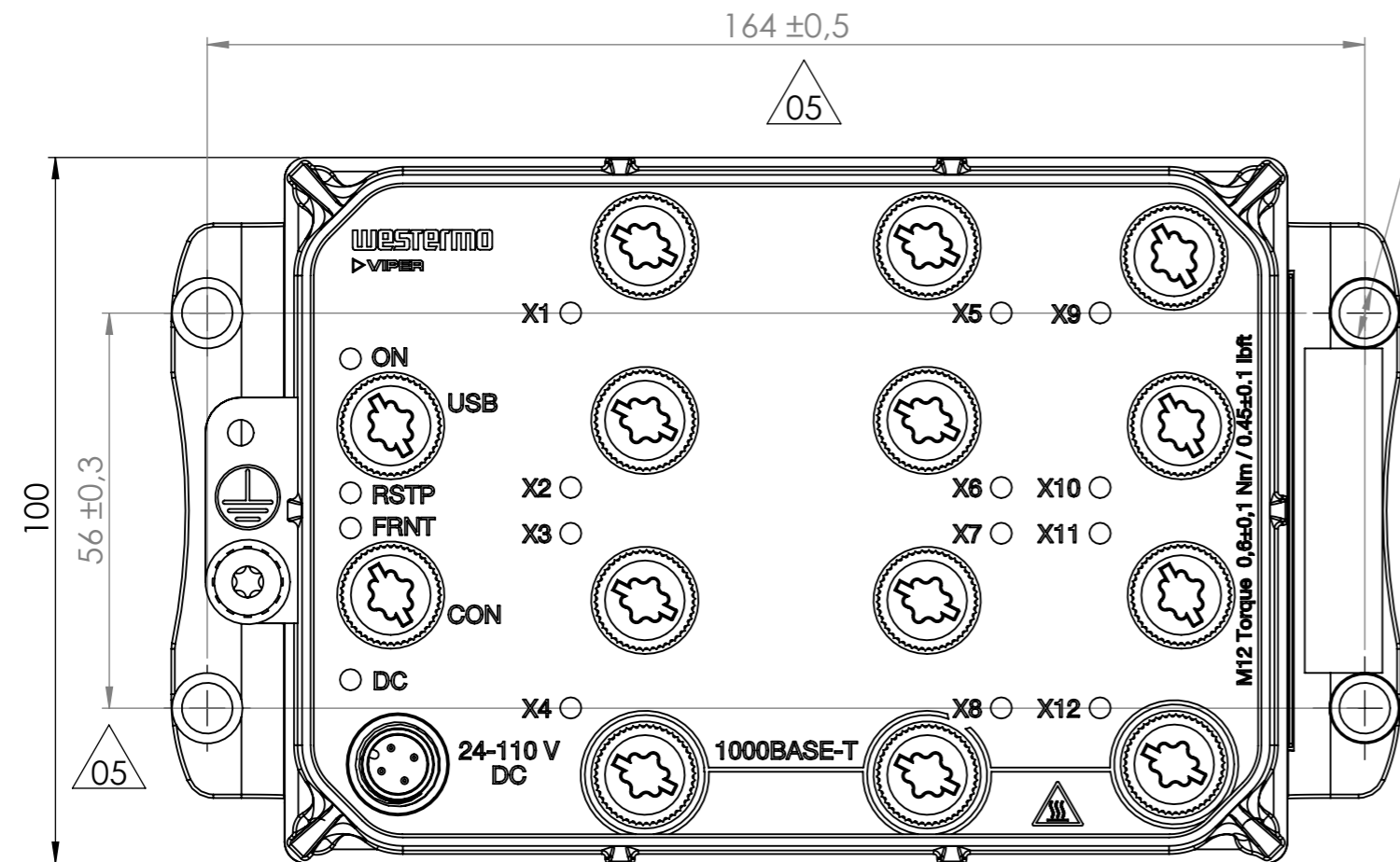
Rev	Description	Designer	Approved	Date
05	Grounding point info added, Tolerances added	KTN	KLI	2017-08-15
06	New View	KTN	KLI	2018-06-29
07	Change of product color and overlay	ODB	KLI	2020-06-23



Label: P/N, Type, Power, MAC, S/N, QR-code



Label: Product name, P/N, S/N, QR-code



Units in millimeter (mm)

	Material/Notes Denomination Viper 212A-T3G	Notes Tolerance ±1 mm		Designer ODB	Approved KLI	Date 2020-06-23	Scale 1:1	Sheet 1(1)
		Drawing No. 3635-0320-UD-07		Status Approved				