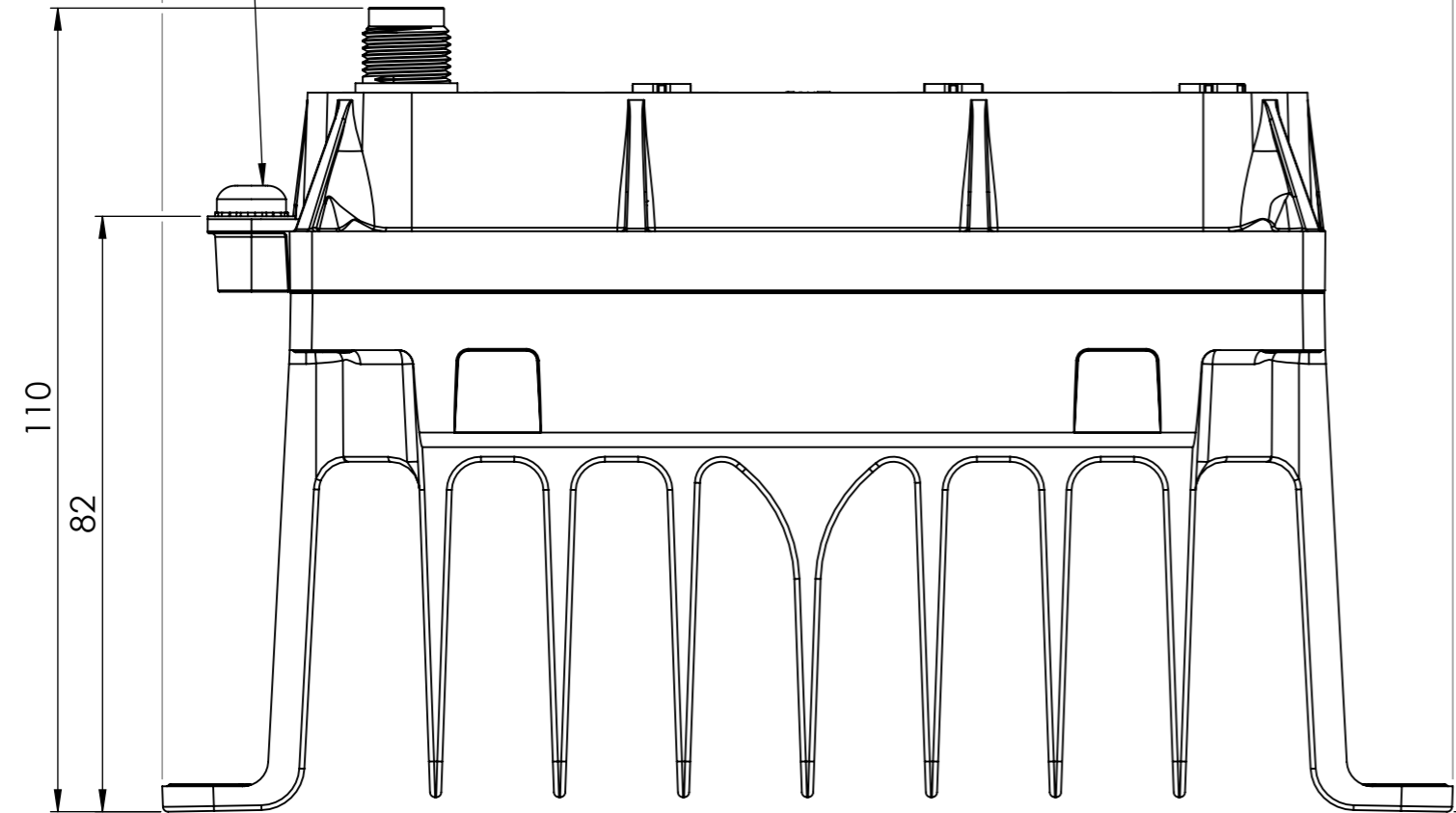


Grounding point
Screw M5x10

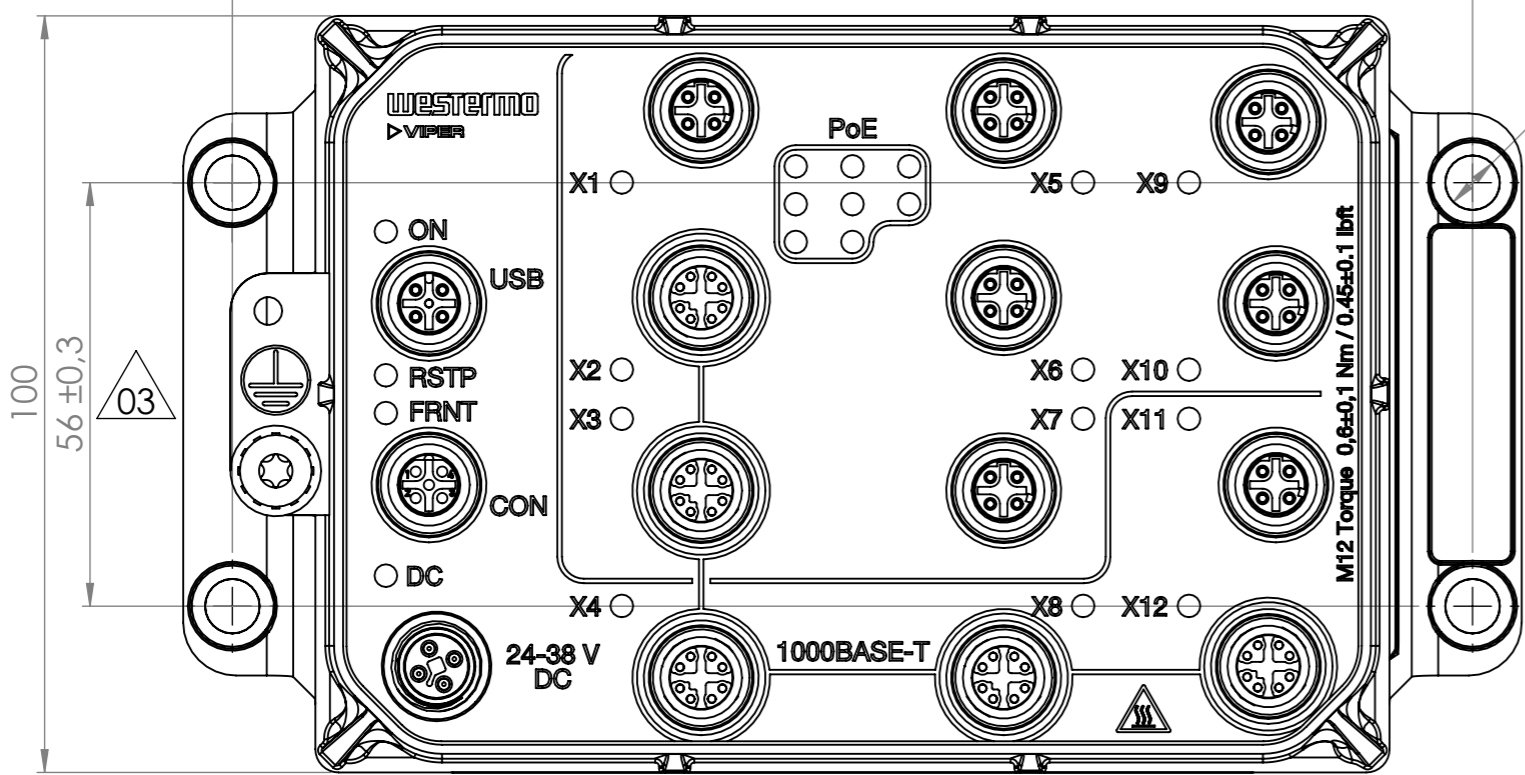


178

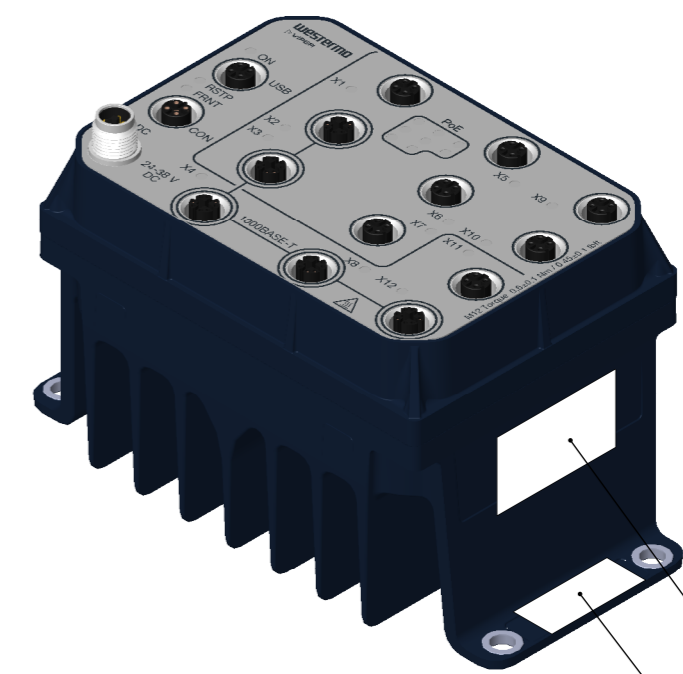


+1
3,5 -0,5
03

164 ±0,5



+0,2
Ø 7,2 -0,5
03



Label: Product name, P/N, S/N, QR-code

Label: P/N, Type, Power, MAC, S/N, QR-code

Units in millimeter (mm)

REVISIONS

Rev	Description	Designer	Approved	Date
02	DC was PWR, 178 was 177	KTN	KLI	2016-11-16
03	Grounding point info added, Tolerances added	KTN	KLI	2017-08-15
04	Change of product color and overlay	ODB	KLI	2020-06-25

	Denomination Viper-212A-T5G-P8-LV	Tolerance ±1,5 mm		Scale	Sheet
		Designer ODB	Approved KLI	Date 2020-06-25	1:1
Drawing No. 3635-0820-UD-04		Status Approved			