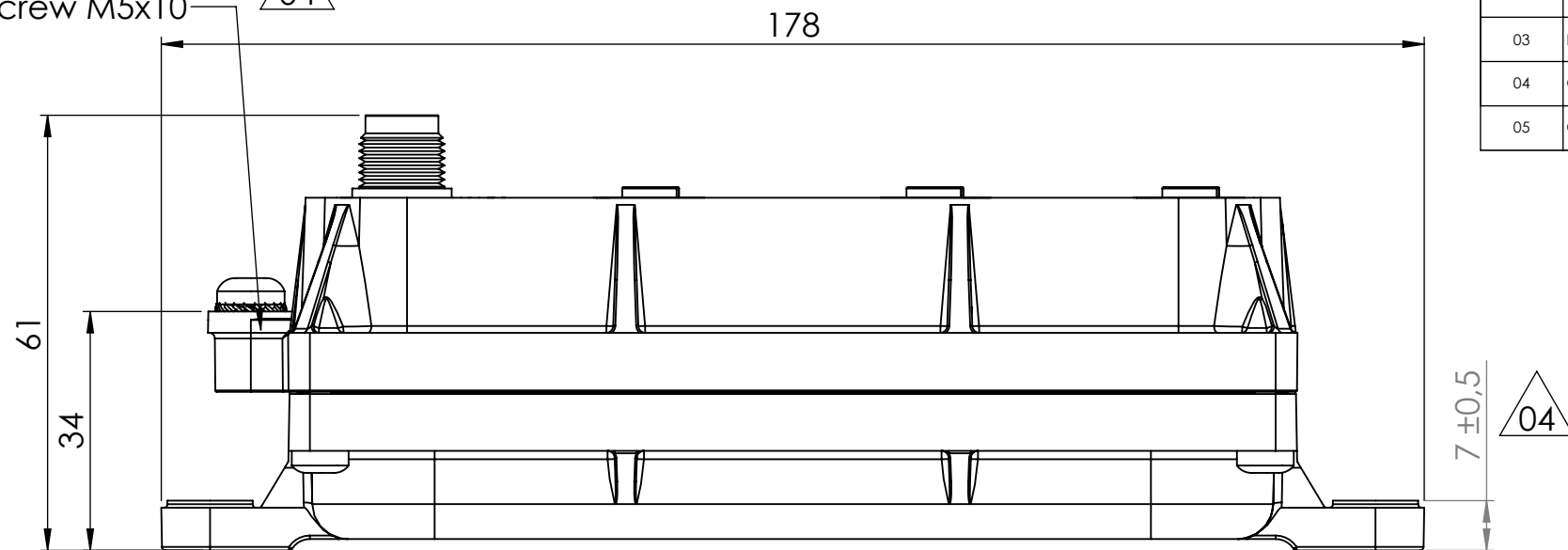
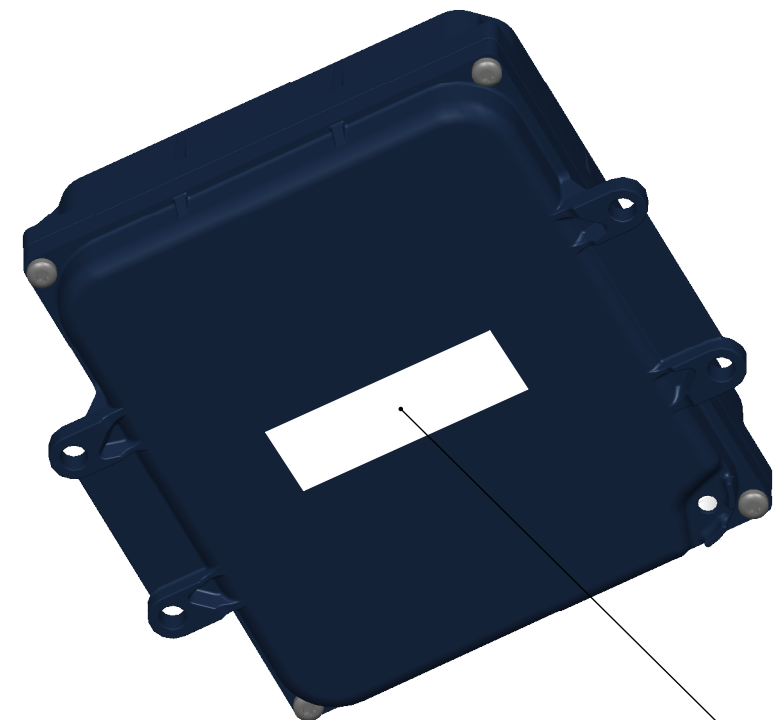


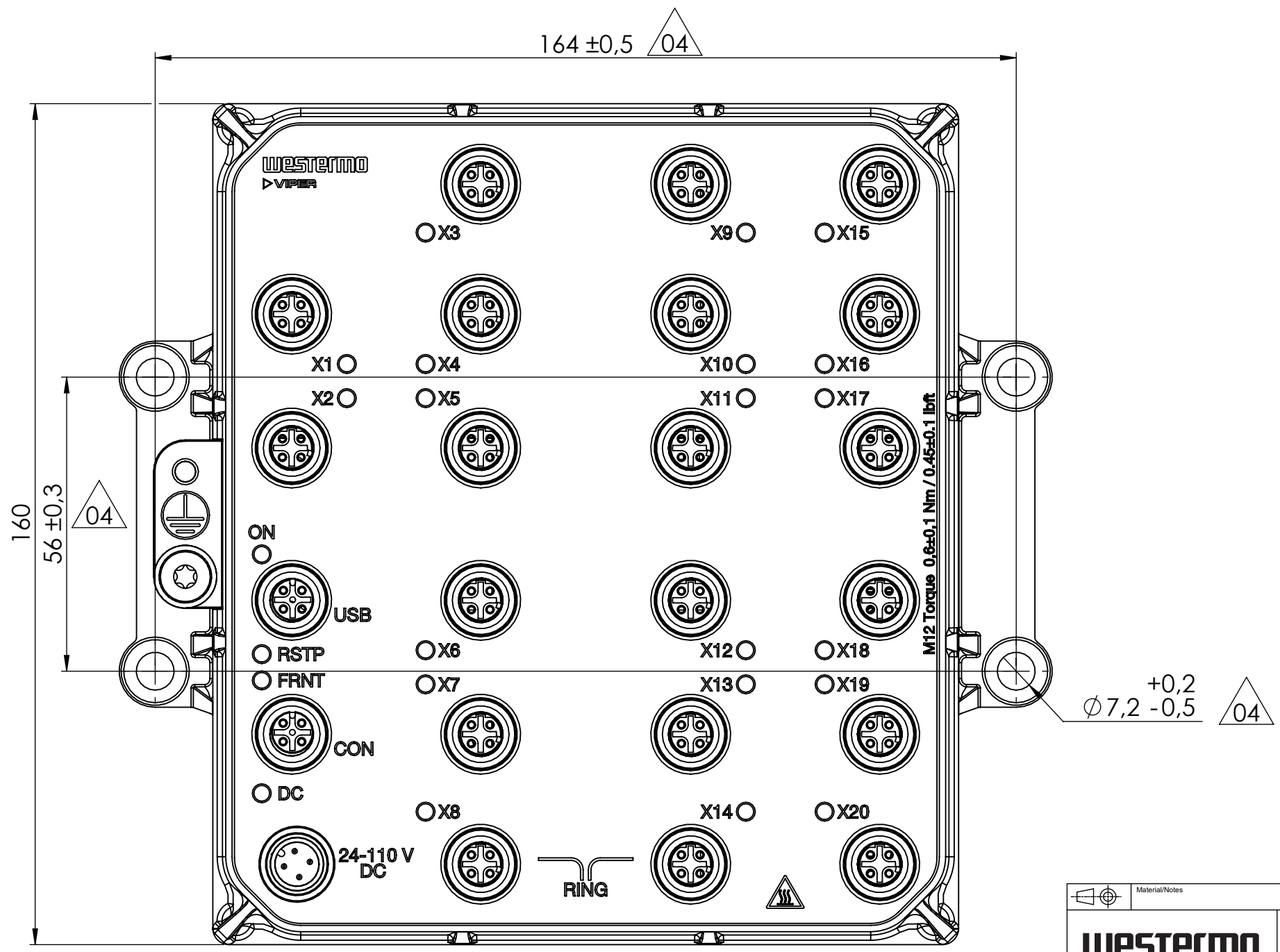
Grounding point  
Screw M5x10



REVISIONS				
Rev	Description	Designer	Approved	Date
03	DC was PWR	KTN	KLN	2016-11-16
04	Grounding point info added, Tolerances added	KTN	KLN	2017-07-10
05	Change of product color and overlay	ODB	KLI	2020-06-24



Label: P/N, Type, Power, MAC, S/N, QR-code



Label: Product name, P/N, S/N, QR-code

Units in millimeter (mm)

© 2020 Westermo Network Technologies AB - All rights reserved

	Denomination <b>Viper 220A</b>	Tolerance		±1 mm	
		Designer ODB	Approved KLI	Date 2020-06-24	Scale 1:1
Drawing No. 3635-0920-UD-05		Status Approved			