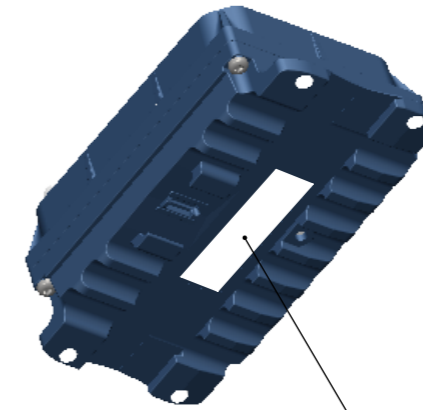
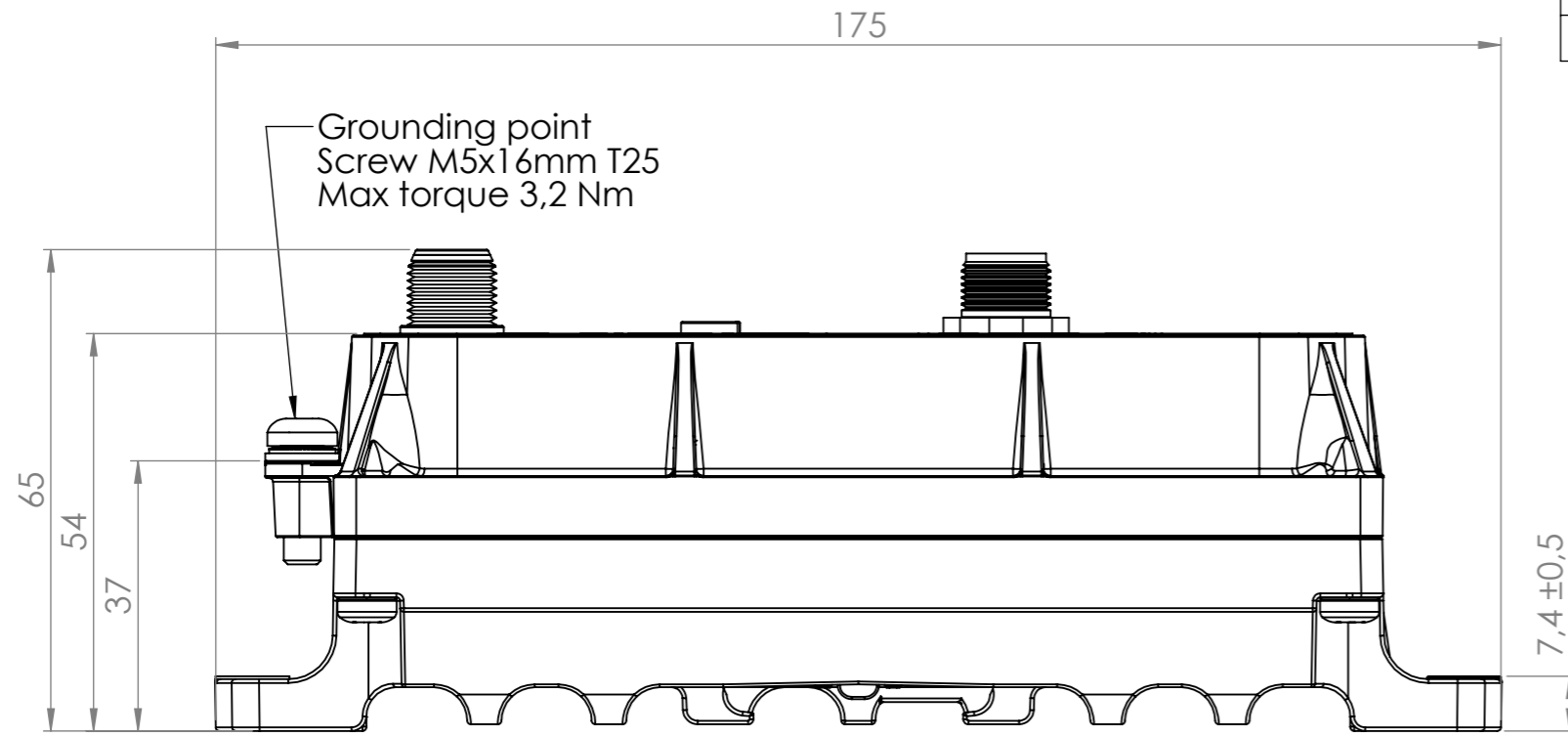
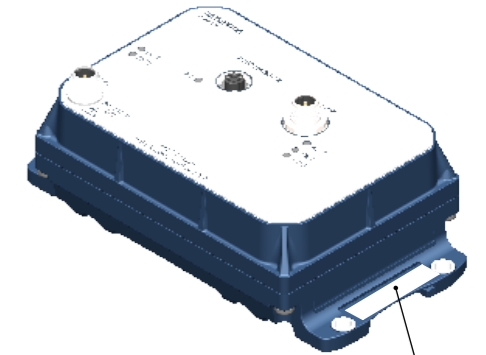


REVISIONS

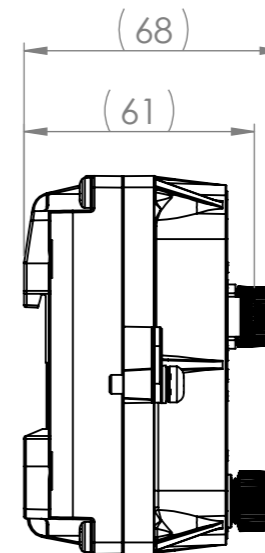
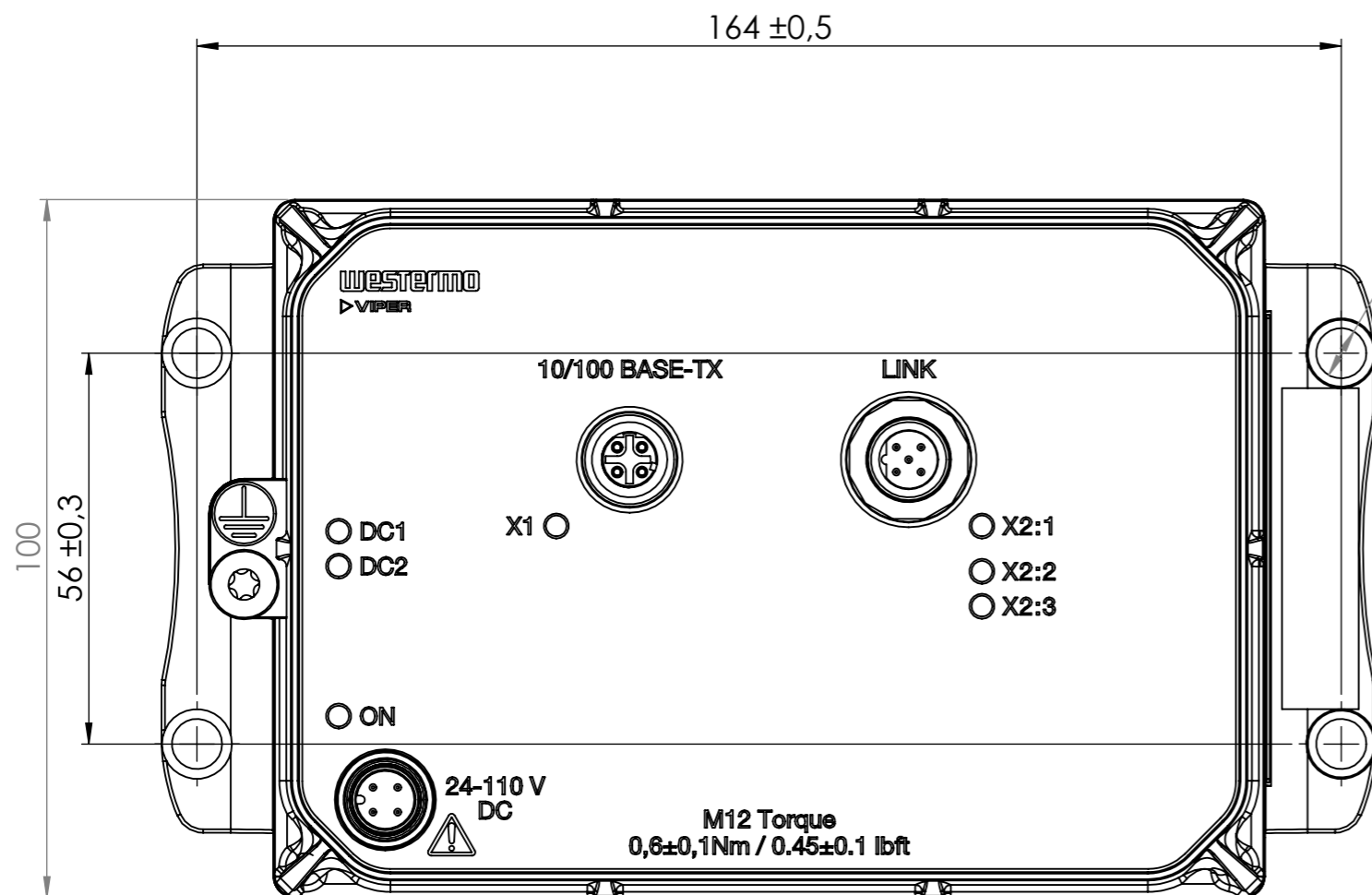
Rev	Description	Designer	Approved	Date
01	Created	KTN	KLI	2023-04-12



Label: P/N, Type, Power, MAC, S/N, QR-code



Label: Product name, P/N, S/N, QR-code



With protective caps on ports

Weight: 1205 ± 20 g

Units in millimeter (mm)

	Units	Material/Notes	Notes		Tolerance ±1 mm	
	mm				Designer	Approved
WESTERMO			Denomination Viper-002-T1-PL1		Designer KTN	Approved KLI
					Date 2023-04-12	Scale 1:1
					Drawing No. 3635-3000-UD-01	Sheet 1(1)
					Status Approved	