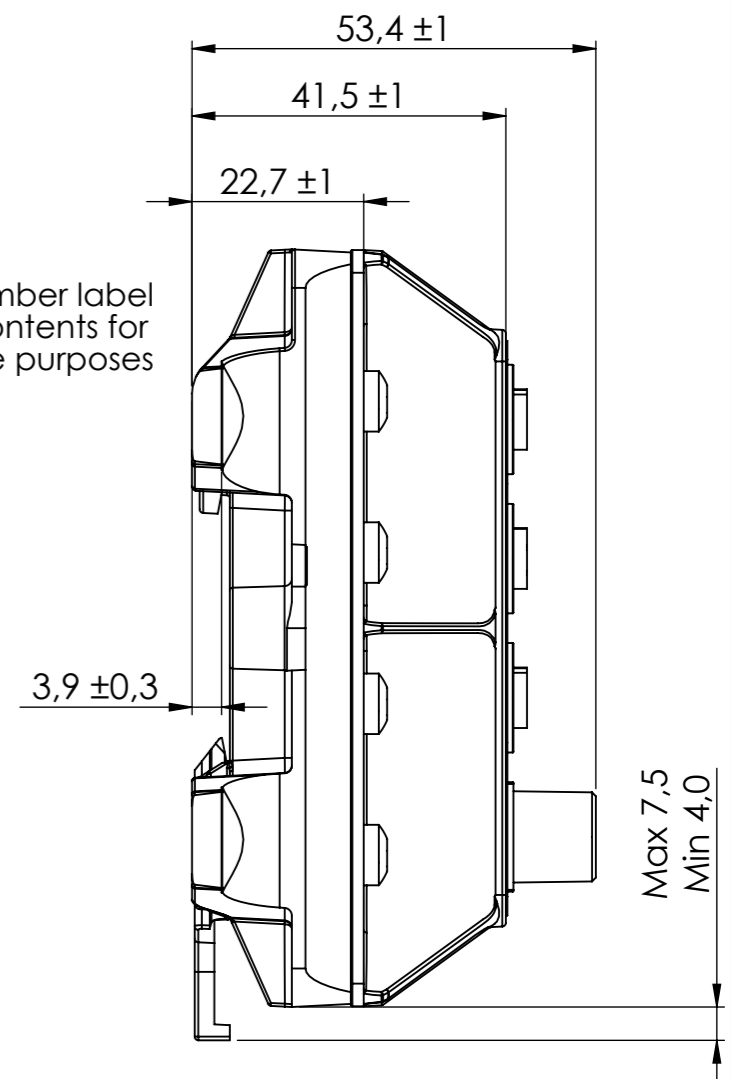
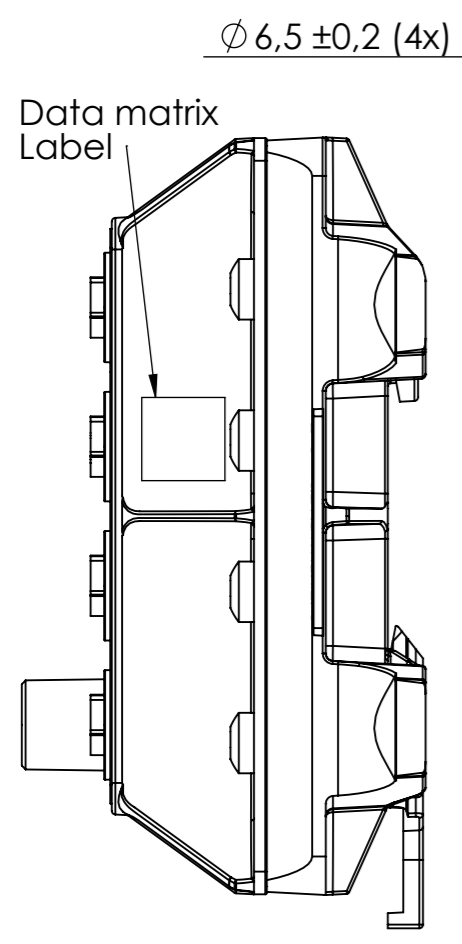
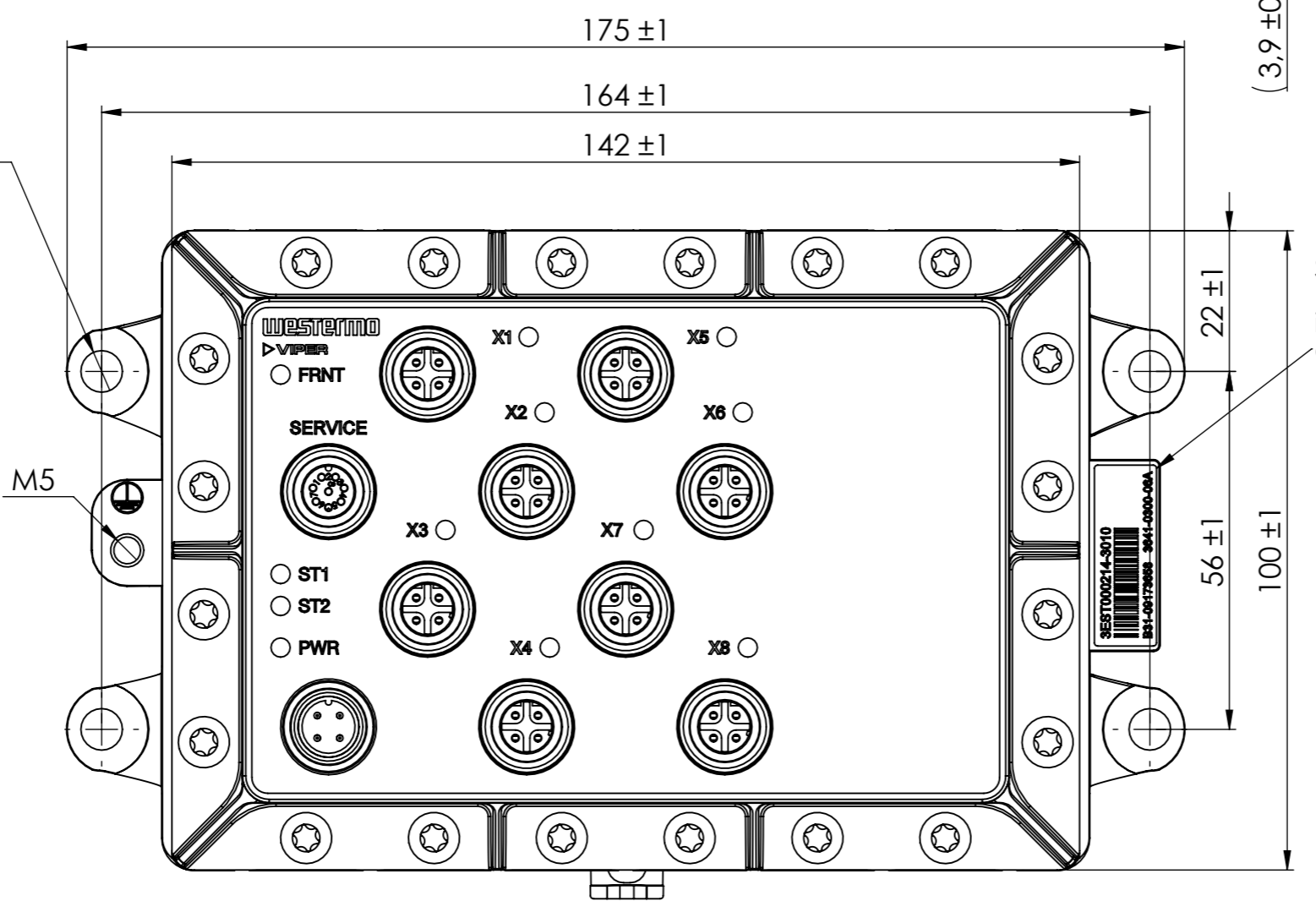
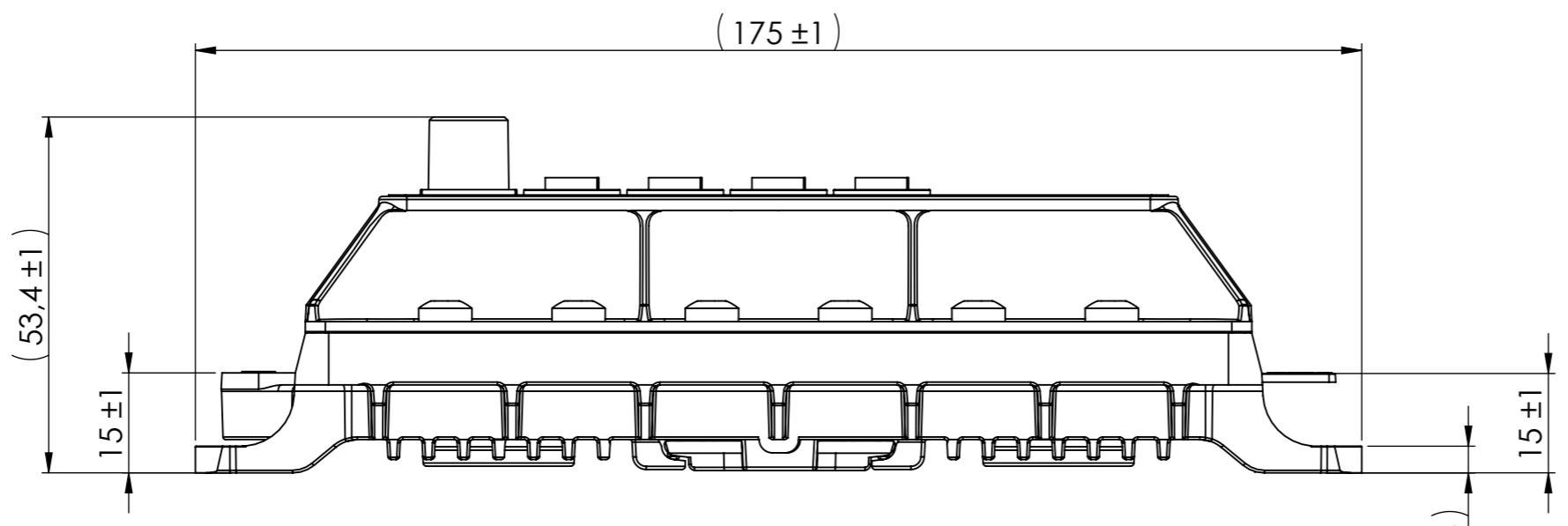


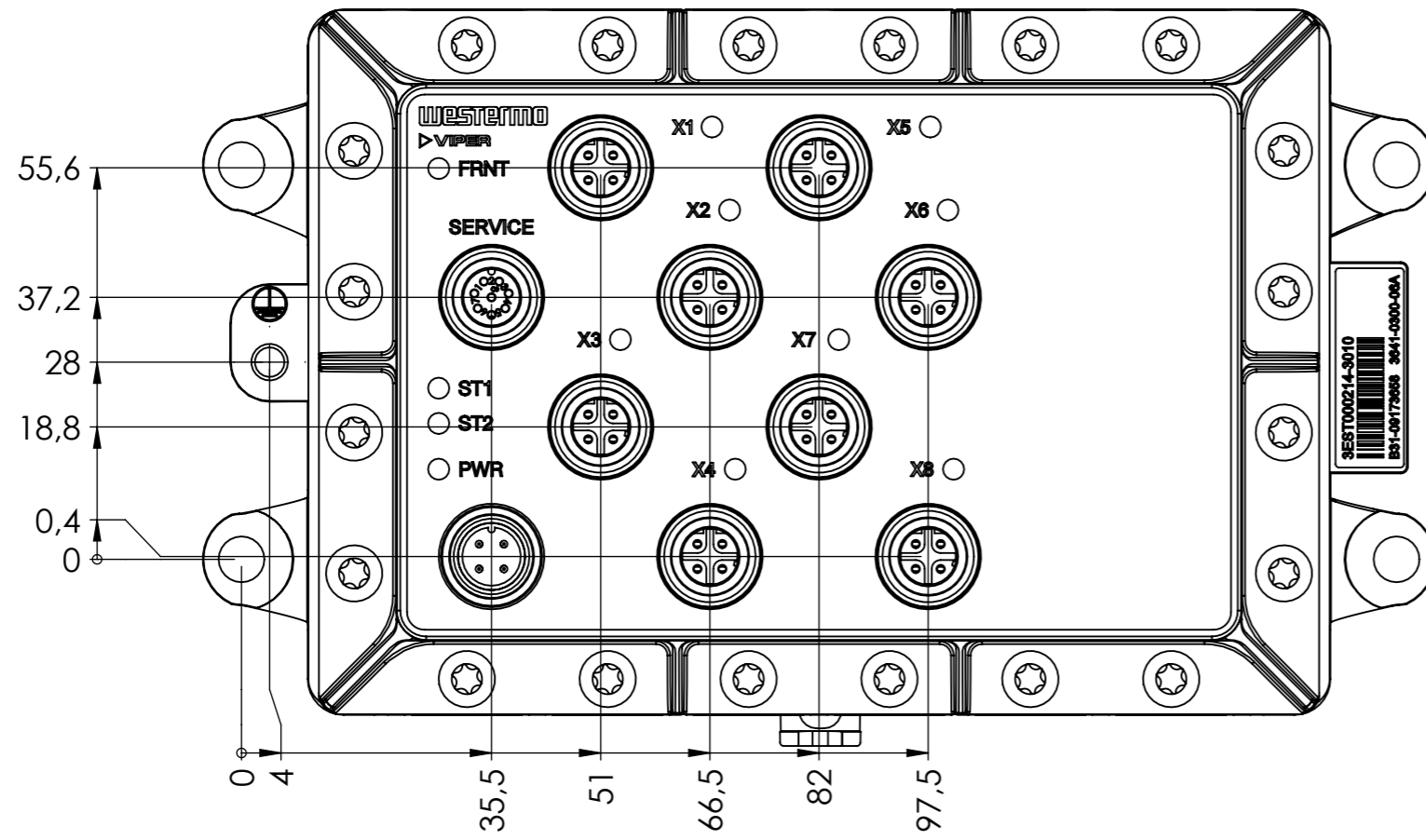
Rev	Description	Designer	Approved	Date
02	Drawing created due to Overlay changed	KTN	KLI	2020-09-23



Serial number label
 (Label contents for illustrative purposes only)

© 2020 Westermo Network Technologies AB - All rights reserved

Material/Notes		Notes		Tolerance ± 1 mm	
		Denomination Viper 408		Designer	KTN
				Approved	KLI
Drawing No. 3641-0360-UD-02		Date 2020-09-23		Scale	1:1
				Sheet	1(2)
				Status	Approved



Material/Notes		Notes		Tolerance ±1 mm		
	Denomination Viper 408	Designer	Approved	Date	Scale	Sheet
		KTN	KLI	2020-09-23	1:1	2(2)
Drawing No.				Status		
3641-0360-UD-02				Approved		