

AP-5312F

Installation and Maintenance Guide

Public

Version:	Date:	Status:
1.3	2018-11-30	Approved
Author:	Approved by:	
Michael Aeschbacher	Michael Aeschbacher	
Doc.-No.:	File Name	
5127.70.400	AP-5312F_Installation_and_Maintenance_Guide.docx	

Version History

Version	Date	Author	Status	Comments
0.1	2015-11-25	MAE	Draft	First draft
0.2	2016-02-03	SAN	Draft	Updated for AP-5312F
0.3	2016-02-18	SAN	Draft	Added power consumption measurements
0.4	2016-02-26	SAN	Draft	Fixed labels after CHA review
0.5	2017-02-27	MAE	Draft	Regulatory part updated, power limitation added
1.0	2017-03-01	MAE	Approved	
1.1	2017-08-15	SHA	Approved	Product label example updated for RED directive
1.2	2018-04-24	MAE	Approved	FO network standard added
1.3	2018-11-30	MAE	Approved	Bug in power consumption tables fixed

The reproduction, distribution and utilization of this document as well as the communication of its contents to others without express authorization is prohibited. Offenders will be held liable for the payment of damages. All rights reserved in the event of the grant of a patent, utility model or design.

—

Weitergabe sowie Vervielfältigung dieses Dokuments, Verwertung und Mitteilung seines Inhalts sind verboten, soweit nicht ausdrücklich gestattet. Zuwiderhandlungen verpflichten zu Schadenersatz. Alle Rechte für den Fall der Patent-, Gebrauchsmuster- oder Geschmacksmustereintragung vorbehalten.

Table of Contents

1 Foreword	5
1.1 References	5
1.2 Abbreviations and Terms.....	5
2 AP-5312F Introduction	6
2.1 Supported Product Versions, Variants and SW	7
2.2 Important Safety Notes.....	8
2.3 Delivery Content	9
2.4 Installation Countries	9
2.5 Regulatory notices.....	10
2.5.1 United States (FCC)	10
2.5.2 Canada (IC)	10
2.5.3 Certified antennas for FCC and IC.....	11
2.6 Output power limitations	11
2.7 AP-5312F Identification and Version Information.....	12
3 Technical Features	14
4 Installation	14
4.1 Installation Procedure, Overview.....	14
4.2 Dimensions for Fixing Points	15
4.2.1 Mechanical Overview	15
4.2.2 Mechanical Integration, Fixing Points and Connector Positions	17
4.3 Considerations when Mounting the Device	18
4.3.1 Typical Power Consumption.....	18
4.3.2 Temperature Alarms.....	18
4.3.3 General Installation Considerations	18
4.3.4 Outdoor Installation with Sun Load	18
4.3.5 Ambient Operating Temperature Range	18
4.3.6 Installations at Very High Temperatures	19
4.4 Connecting the System Grounding	21
4.5 Connecting the RF Antenna Interfaces	22
4.5.1 Monitoring Antenna RF Connector.....	22
4.5.2 Communication Antenna RF Connectors.....	23
4.6 Connecting the Fiber Optical Cable	24
4.7 Connecting the AC Power Feed.....	25
4.7.1 Power consumption examples	27
5 Outdoor Radio Access Point Configuration and Use	29
5.1 LED Indicators during Power Up Sequence	29
5.2 Connecting the Service Ethernet.....	29
5.2.1 Service Ethernet Port Features	30
5.3 AP-5312F Factory Reset Interface, Process for Factory Reset	31
5.3.1 Factory Reset Adapter Specification	31
5.3.2 Factory Reset Procedure	32
6 Maintenance	33
6.1 Cleaning– Resistance to Chemicals.....	33
6.2 Troubleshooting Based on Functional Behavior	34
6.3 Repair Work.....	34
6.3.1 Product Exchange	34

Figures and Tables

Figure 1 AP-5312F	6
Figure 2 AP-5312F Block Diagram	6
Figure 3 Product Identification Label Position	12
Figure 4 Product Identification Label Example	12
Figure 5 Product Label Example	13
Figure 6 AP-5312F Mechanical Overview	15
Figure 7 AP-5312F Connectors	17
Figure 8 Installation with blocked Airflow shall be avoided	19
Figure 9 Installation with free Airflow – good Installation	19
Figure 10 Improved Heat Transfer based on Fixing Plate	20
Figure 11 The grounding Screw	21
Figure 12 Monitoring Antenna Interface	22
Figure 13 Communication Antenna Interfaces	23
Figure 14 Fiber Optic ETH Interface	24
Figure 15 AC Interface	25
Figure 16 Power, Operation, Failure and FO Ethernet Interface LEDs	29
Figure 17 Service 1000Base-TX Interface	30
Figure 18 Service Ethernet Port for Factory Reset	31
Figure 19 Neratec DT50 FACTORY RESET PLUG X-CODED	31
Table 1 Supported Product Versions, Variants and SW	7
Table 2 Important Safety Notes	8
Table 3 Delivery Content	9
Table 4 Installation Countries	9
Table 5: FCC and IC certified antennas	11
Table 6: Output power limitations	11
Table 7 Product Identification	12
Table 8 Product Label Information	13
Table 9 Installation Procedure	14
Table 10 Dimensions and Weight	16
Table 11 Fixing points and Connector Positions	17
Table 12 Installation Procedure, Fixing the Protective Earth	21
Table 13 Pinning: RF Antenna Connector	22
Table 14 Pinning: Fiber Optic ETH Connector	24
Table 15 Fiber Optic ETH Specification	24
Table 16 Installation Procedure, Installing Fiber Optical Cable	25
Table 17 Pinning: AC Mains Connector	26
Table 18 Installation Procedure, Installing AC Cable	26
Table 19 Power Feed Specification	26
Table 20: 2.4GHz power consumption with 100VAC	27
Table 21: 2.4GHz power consumption with 230VAC	27
Table 22: 5GHz power consumption with 100VAC	28
Table 23: 5GHz power consumption with 230VAC	28
Table 24 Service 1000Base-TX Connector	30
Table 25 4.6.1 Ethernet Port Features	30
Table 26 Factory Reset Procedure	32

1 Foreword

This document describes the Installation procedure of the Neratec AP-5312F device.

1.1 References

No.	Author, "Title", Version, Date, Source/Filename/Link
[1]	Neratec, "Software 6 User Manual"
[2]	Neratec, "AP-5312F Datasheet"

1.2 Abbreviations and Terms

Abbreviation	Description
AP	Access Point
BSSID	Basic Service Set ID
EMC	Electro Magnetic Compatibility
ETH	Ethernet
FAI	First Article Inspection
FO	Fiber Optic
GW	Gateway
HTTP	Hyper Text Transfer Protocol
IC	Industry Canada
ID	Identification
IP	Internet Protocol
LED	Light Emitting Diode
MAC	Media Access Control
MMI	Man-Machine Interface
ODC-2	Fiber Optical Outdoor Connector from Huber & Suhner (H&S)
OD RAP	Outdoor Radio Access Point
PE	Protective Earth
RSSI	Receive Signal Strength Indicator
RX	Receive
SN	Serial Number
SNMP	Simple Network Management Protocol
STA	Station
TRE	Trackside Radio Equipment
TX	Transmit
WLAN	Wireless Local Area Network

2 AP-5312F Introduction

The AP-5312F is a wireless communication product, developed for demanding industrial and railway applications.

It is a radio devices operating at 2.4 and 5GHz WLAN bands, and can be configured as Access Point. The AP-5312F is part of the Neratec DT50 platform products.



Figure 1 AP-5312F

The AP-5312F functional block diagram is shown in Figure 2.

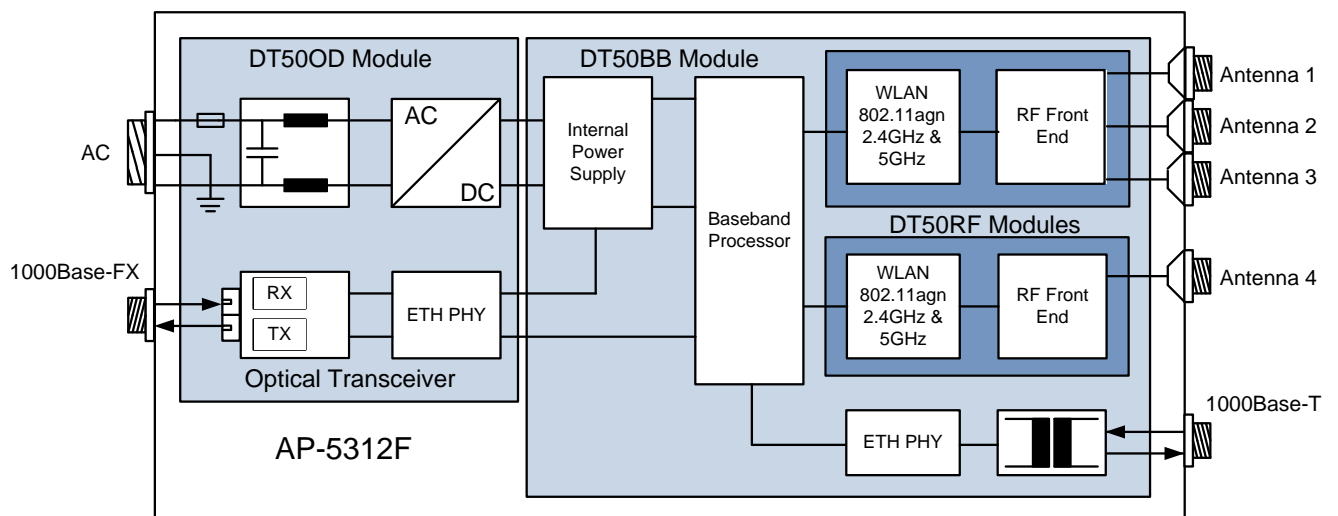


Figure 2 AP-5312F Block Diagram

2.1 Supported Product Versions, Variants and SW

Supported Product Versions, Variants and SW:

Specification	Value	Notes
Product Versions/ Variants	AP-5312F	
Software Version	V6.6 and higher	

Table 1 Supported Product Versions, Variants and SW

2.2 Important Safety Notes








	<p>Notice</p> <p>The optical fast Ethernet interface of this device uses a class 1 laser product. It complies with EN 60825-1 and FDA 21 CFR 1040.10 and 1040.11</p> <p>The laser is eye-safe under all operating conditions.</p>
	<p>Danger!</p> <p>Do not use damaged equipment and/or accessories such as damaged power cord.</p>
	<p>Danger!</p> <p>Never try to open the device. There are no serviceable parts inside! By trying to open the device you will be exposed to a risk of death or injury.</p>
	<p>Warning!</p> <p>Product warranty gets void and any liability will be disclaimed when opening the device.</p>
	<p>Warning!</p> <p>Read this user guide carefully before mounting, installing and operating the device.</p>
	<p>Warning!</p> <p>Never unplug equipment from the electrical outlet by holding the cord only, always disconnect the cable by applying force directly to the plug.</p>
	<p>Warning!</p> <p>Do not operate the device in any other environmental conditions than it is designed for.</p>

Table 2 Important Safety Notes

2.3 Delivery Content

The delivery consists of following main components:

Description	Number of Parts	Notes
AP-5312F	1	
Connector Dust Cap	6	<i>Temporary protection of connectors:</i> <ul style="list-style-type: none"> - 1 plastic cap for FO connector - 1 plastic cap for ETH connector - 4 plastic caps for antenna connectors

Table 3 Delivery Content

2.4 Installation Countries

Installation country regulatory limits and operating parameters are controlled by Software Country Code parameter.

This product supports:

Country Code	Operating Frequency Ranges	Notes
Europe (EU)	2412 ... 2472 MHz and 5180 ... 5320 MHz, 5500 ... 5700 MHz	<i>Operation according to ETSI limitations For detailed specification, see SW User Guide</i>
United States (USA)	2412 ... 2472 MHz and 5180 ... 5320 MHz, 5500 ... 5700 MHz 5725 ... 5850 MHz	<i>Operation according to FCC limitations For detailed specification, see SW User Guide</i>
Canada (CANADA)	2412 ... 2472 MHz and 5180 ... 5320 MHz, 5500 ... 5700 MHz 5725 ... 5850 MHz	<i>Operation according to IC limitations For detailed specification, see SW User Guide</i>

Table 4 Installation Countries

Note: Further SW releases might support additional country codes, for up-to-date country code specification refer to SW6 User Guide.

2.5 Regulatory notices

Caution!

Any changes or modifications shall be approved by the party responsible for compliance. If not, users could void the user's authority to operate the equipment.

Country code and antenna gain needs to be set properly for correct functionality in the installed country.

2.5.1 United States (FCC)

The enclosed device complies with Part 15 of the FCC Rules. Operation is subject to the following two conditions: (i.) this device may not cause harmful interference and (ii.) this device must accept any interference received, including interference that may cause undesired operation.

Contains FCC ID: **2AEJD-103902-DT50RF**

RF Exposure requirements:

To satisfy FCC RF exposure requirements for mobile transmitting devices, a separation distance of 20cm or more should be maintained between the antenna of this device and persons during operation. To ensure compliance, operations at closer distances than this are not recommended.

Antennas:

The device can operate with the antennas listed in 2.5.3.

2.5.2 Canada (IC)

This device complies with Industry Canada's licence-exempt RSSs. Operation is subject to the following two conditions:

1. This device may not cause interference.
2. This device must accept any interference, including interference that may cause undesired operation of the device.

Le présent appareil est conforme aux CNR d'Industrie Canada applicables aux appareils radio exempts de licence. L'exploitation est autorisée aux deux conditions suivantes:

1. l'appareil ne doit pas produire de brouillage.
2. l'utilisateur de l'appareil doit accepter tout brouillage radioélectrique subi, même si le brouillage est susceptible d'en compromettre le fonctionnement.

IC Certification Number of the implemented WLAN communication module: **9301A-103902DT50**

Antennas:

The device can operate with the antennas listed in 2.5.3.

2.5.3 Certified antennas for FCC and IC

The following antennas can be used with the device (the antenna type ID has to be set to the right value):

<i>Type</i>	<i>Part number</i>	<i>Manufacturer</i>	<i>Gain</i>	<i>Chains</i>	<i>Antenna Type ID</i>
Dipole	F51-N	Tekfun	2GHz: 4.5dBi max 5GHz: 7dBi max	1, 2, 3	04
Patch	SPA 2400/75/8/0/V	Huber & Suhner	2GHz: 7.5dBi max	1, 2, 3	05
Patch	SPA-5600/40/14/0/V_2	Huber & Suhner	5GHz: 14dBi max	1, 2	06
Patch	SPA-5600/65/9/0/MIMO	Huber & Suhner	5GHz: 9dBi max	1, 2, 3	07
Shark	SPA-5600/45/12/10/V	Huber & Suhner	5GHz: 12dBi max	1, 2	08

Table 5: FCC and IC certified antennas

2.6 Output power limitations

The AP-5312F has following output power limitations for ambient temperatures from -40°C to +70°C.

Active antennas	Max. output power
1	22dBm per chain
2	22dBm per chain
3	22dBm per chain

Table 6: Output power limitations

2.7 AP-5312F Identification and Version Information

Product identification information is available at the product label. The product label is fixed to the device.



Figure 3 Product Identification Label Position

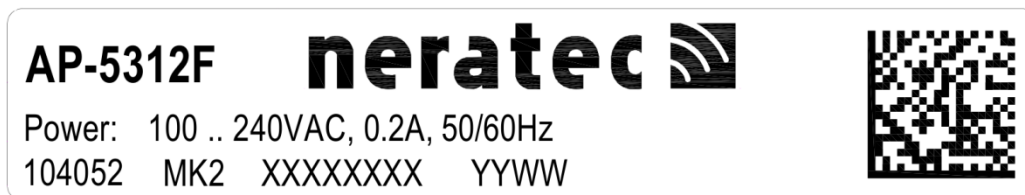


Figure 4 Product Identification Label Example

Specification	Value	Notes
Part Number	104052	<i>Neratec part number</i>
Neratec Product Revision	MK2	<i>Neratec product revision code</i>
SN	XXXXXXXX	<i>Neratec internal serial number</i>
Manufacturing Date	YYWW	<i>The date format is: YY = manufacturing year WW = manufacturing week</i>
BAR CODE	SN information	<i>Data matrix</i>

Table 7 Product Identification

At the rear side of the product further product specific information is printed to a second label.

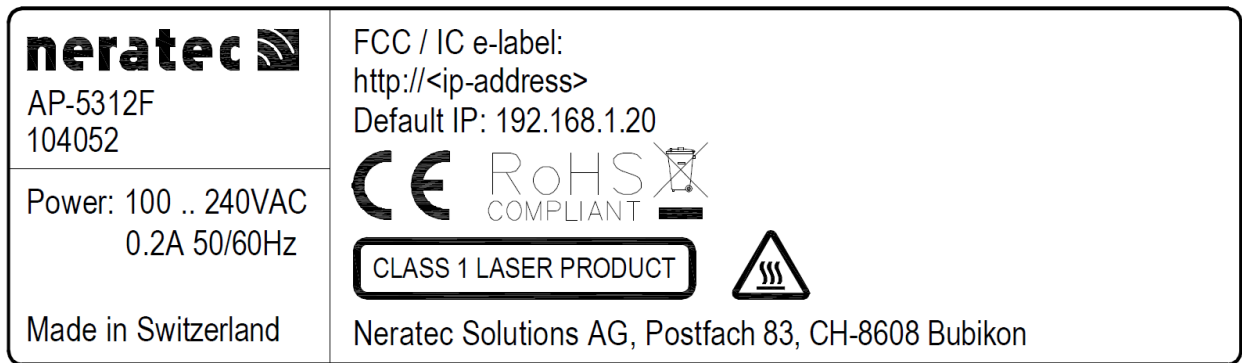


Figure 5 Product Label Example

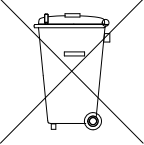


Specification	Value	Notes
Product Name	AP-5312F	
Part Number	104052	Part number
WEEE		<p>This symbol, found on the product indicates that this product should not be treated as household waste when disposing of it.</p> <p>Instead it must be handled over to an applicable collection point for the recycling of electrical and electronic equipment.</p> <p>By ensuring this product is disposed correctly, you will help prevent potential negative consequences to the environment and human health, which could be otherwise be caused by inappropriate disposal of this product.</p>
CE		CE mark
Hot surfaces		Surface temperature can be above 60°C.
FCC / IC e-label	FCC / IC e-label: http://<ip-address> Default IP: 192.168.1.20	Link to the FCC / IC e-label

Table 8 Product Label Information

3 Technical Features

Technical features are described in the Product Datasheet see [2].

4 Installation

4.1 Installation Procedure, Overview

<i>Order of Installation Step</i>	<i>Description</i>
<i>1. Fixing</i>	The product is fixed in operating environment, ensuring that the environment complies with the installation environment constrains. See chapter 4.2
<i>2. System Grounding</i>	The system grounding is ensured and verified based on customer installation. See chapter 4.4
<i>3. Antennas</i>	The antenna interfaces are installed based on customer requirements. See chapter 4.5
<i>4. Ethernet</i>	The Ethernet data interface is installed. See chapter 4.6
<i>5. Power Feed</i>	Power feed cable is connected (the power maybe already activated in the cable), the power supply is switched on and verify that the LED indicators shows correct power up procedure. See chapter 4.7
<i>6. Configuration</i>	Configuration Process is described in document: [1] chapter: Configuration.

Table 9 Installation Procedure

4.2 Dimensions for Fixing Points

4.2.1 Mechanical Overview

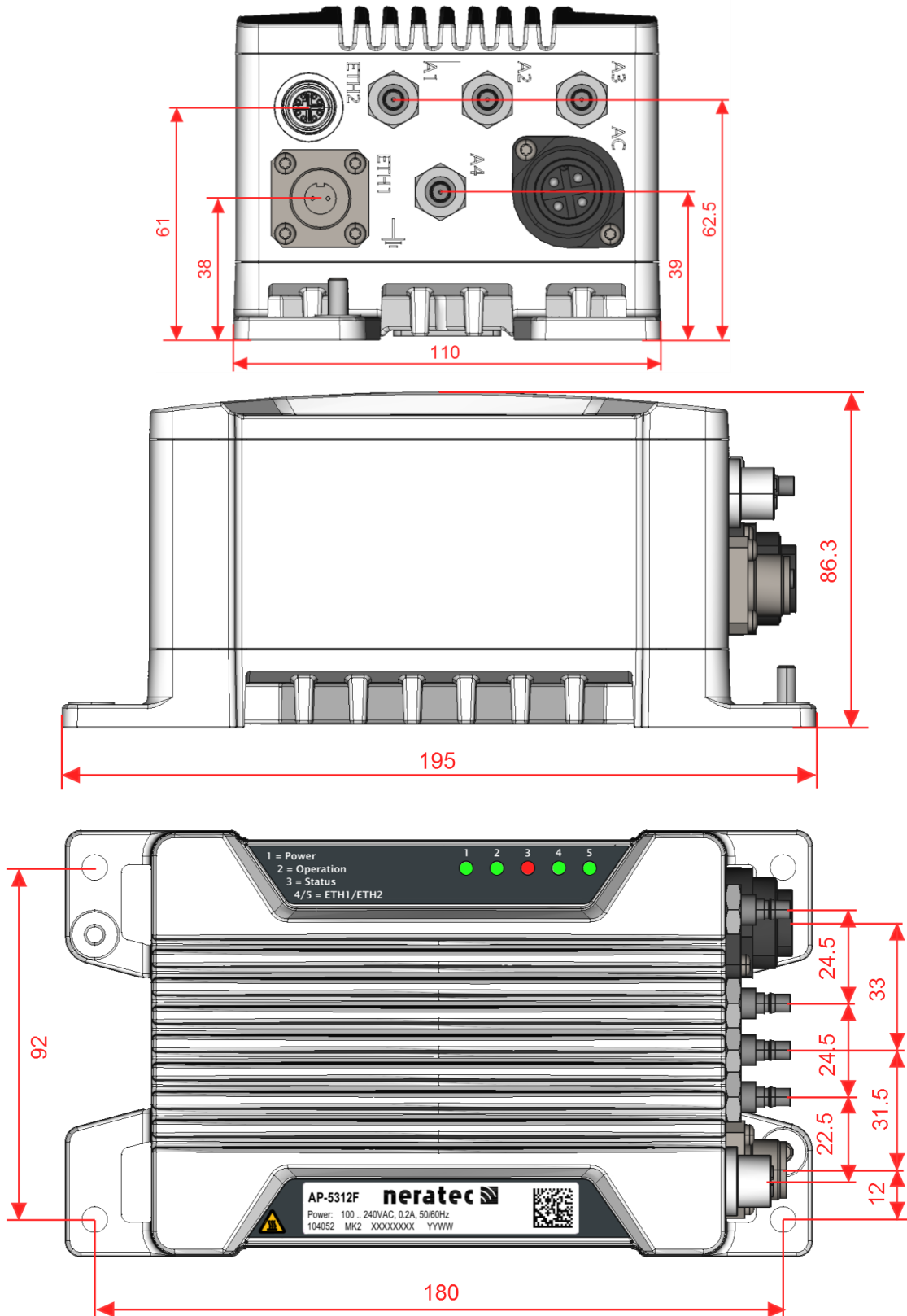


Figure 6 AP-5312F Mechanical Overview

Parameter	Value	Notes
Max dimensions	195 x 110 x 86.3mm	<i>Without cables</i>
Clearance	300mm	<i>For cabling</i>
Location of the fixing points	In each corner	
Color	RAL 9010, Pure White	<i>Powder coating</i>
Protection	IP66	
Weight	1.75 kg	

Table 10 Dimensions and Weight

4.2.2 Mechanical Integration, Fixing Points and Connector Positions

The product must be fixed with the 4 fixing points located at the corners of the product. M6 screws shall be used for the fixation of the product. The screws shall be tightened with min. 3.0Nm (fixing screw ISO 898/1, quality class 8.8).

NOTICE: All 4 specified fixing points must be used for fixing. The fixing surface should be flat to have all fixing points connected to the surface.

The product has a membrane vent at the bottom of the product for equalizing pressure changes.

NOTICE: The vent does not require any maintenance. Any manipulations at the vent are not allowed.

Specification	Value					
Fixing holes positions	Fixing holes without threads, for 6mm screws: 4 pieces of slot holes, see: Figure 6					
	0mm, 92mm			180mm, 92mm		
	0mm, 0mm			180mm, 0mm		
AP-5312F fixing screws	M6 screws/ 6mm screw, screw length to be selected by installer based on installation environment and device weight					
Clearance	Slot holes require a clearance of min. 10mm at the long side of the AP-5312F for correct installation and removal					
	Clearance for heat transfer is to be considered separately					
Connector positions	AC POWER	Antenna 1	Antenna 2	Antenna 3	100Base-FX FO ETH	100Base-TX ETH
	See Figure 7 Figure 15	See Figure 7 Figure 13	See Figure 7 Figure 13	See Figure 7 Figure 12	See Figure 7 Figure 14	See Figure 7 Figure 17
Grounding	See Table 12					

Table 11 Fixing points and Connector Positions

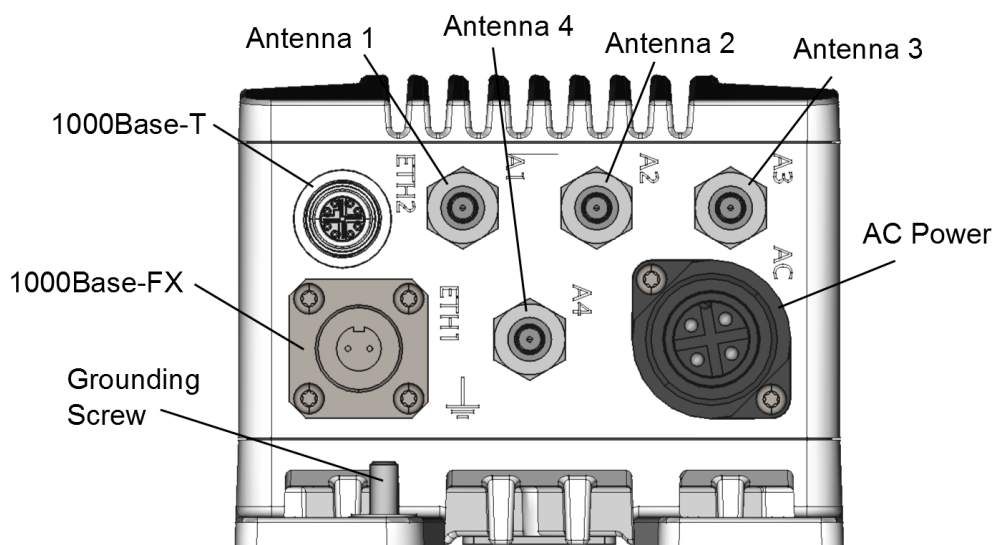


Figure 7 AP-5312F Connectors

4.3 Considerations when Mounting the Device

4.3.1 Typical Power Consumption

- For normal operation the power consumption is app. 10W
- The power consumption for standby operation (sending beacons, no associated client) is app. 8.5W

4.3.2 Temperature Alarms

The product has integrated temperature sensors for monitoring the internal device temperature. The limits for the sensors are set so, that operation without alarm is ensured for ambient temperatures as specified assuming correct installation.

4.3.3 General Installation Considerations

When planning an installation at least the following points shall be considered:

- Indoor in the tunnels: protecting for dust (to ensure heat dissipation), vandalism, animals (rats, birds, ...)
- Outdoor: protecting for sun (to optimize ambient temperature range), dust, dirt, vandalism, ..

4.3.4 Outdoor Installation with Sun Load

For installation at places where the product would be exposed to direct sunshine, user must take care that the ambient temperature range is ensured under the sun load conditions. Direct sun load is heating the product and therefore limiting the max ambient temperature (assumed temperature rise due to 1000 W/m² sun load: 15°C). There are temperature alarms built in the product alarming for too high temperatures. For more details see SW User Guide.

A protective housing with the goal to block the sunshine could be implemented to protect the product from sun load. The protective housing still needs to ensure air circulation around the product.

4.3.5 Ambient Operating Temperature Range

The AP-5312F includes a vent allowing controlled air exchange due to temperature changes. Humidity is blocked by the vent.

To ensure correct operation over the whole specified temperature range, certain aspects need to be considered.

The limits are defined for installations with free air flow in installation environment.

It shall be noted that in real environment:

- Limited air flow is rising the temperature and may limiting the high limit of the operating temperature lower than the specified one
- Conducted heat exchange through metal surfaces at the product fixing point is improving the device heat transfer and improving the operating conditions
- Temperature is dependent on operation parameters, like RF output power, amount of traffic, amount of trains (long term duty cycle...)

- AP-5312F has internal temperature sensors that alarm for too high or too low temperature. The operating conditions shall be ensured so that the normal operation does not cause temperature alarms. The possible temperature alarms shall be immediately solved. See SW User Guide for detailed specification of the temperature sensors alarms
- The internal temperature alarms are adjusted so that the device supports the operating ambient temperatures for the nominal application scenario, i.e. considering typical power consumption of 7W
- In real environment the power consumption will be slightly lower due to the fact that there are not always trains associated in the AP, typical real installation power consumption is in range 7..9 Watts

4.3.6 Installations at Very High Temperatures

For installations, where the product is operated close to its maximum specified ambient temperature ($+55^{\circ}\text{C} < T_{\text{Ambient}} < +70^{\circ}\text{C}$), it must be ensured that the natural convection is not blocked by objects nearby.

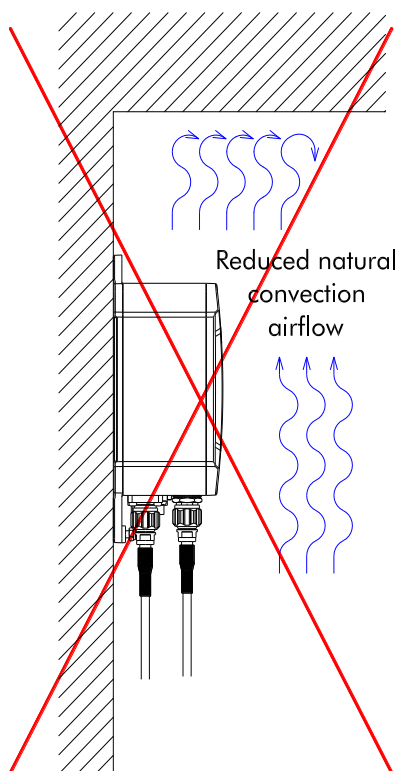


Figure 8 Installation with blocked Airflow shall be avoided

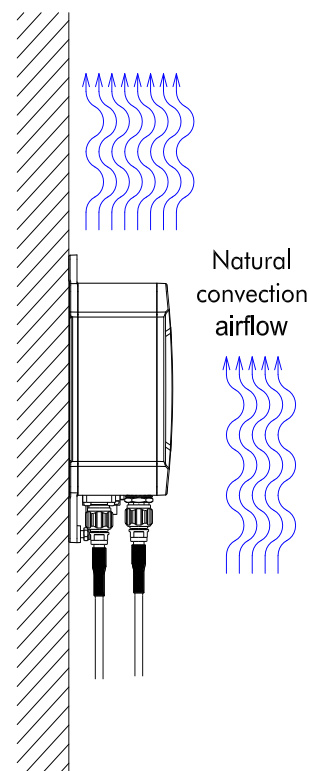


Figure 9 Installation with free Airflow – good Installation

When operating at ambient temperatures above app. +60C it is recommended to mount the product to a metallic base plate to improve the heat dissipation. The base plate increases the surface to spread the heat.

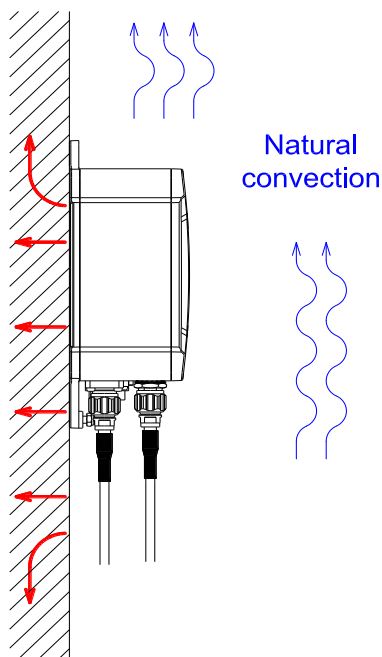


Figure 10 Improved Heat Transfer based on Fixing Plate

4.4 Connecting the System Grounding

In the AP-5312F construction, the housing is connected to the protective earth, signal ground. The RF antenna interfaces are referenced to the GND. The 1000BASE-TX Ethernet data interface is isolated.

There are two protective earth connection points, one at the AC connector and a second one at the grounding screw at the housing.

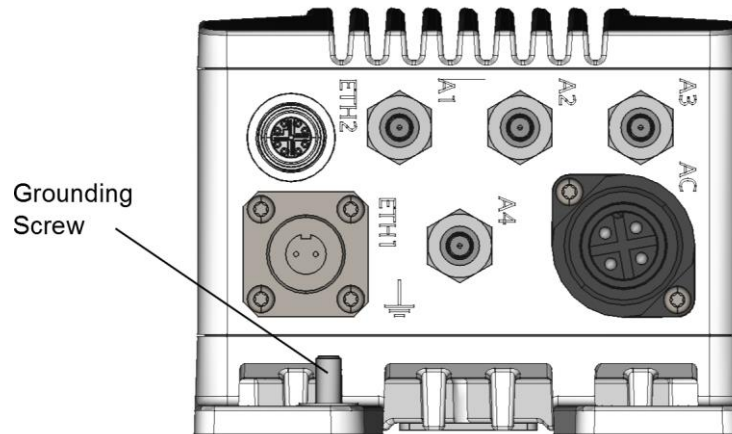


Figure 11 The grounding Screw

Important: For a safe operation and proper protection against lightning, both Protective Earth contacts of AP-5312F must be connected to system ground. The grounding must be done always as a first step before connecting any other external interfaces to the product

For the grounding at the M5 stud, a wire with a cross section of at least 6.0mm² shall be used.

Order of Installation Step	Description
1. Open screw	M5 nut must be opened until terminal of the protective earth can be placed at its place
2. Install the wire	The grounding wire is set below the rip-lock washer
3. Fix the nut	Tighten the nut for safe operation and good reliable grounding. The tightening torque shall be 2.0Nm.

Table 12 Installation Procedure, Fixing the Protective Earth

4.5 Connecting the RF Antenna Interfaces

The antenna connectors are identified with the text markings A1 (Antenna 1), A2 (Antenna 2), A3 (Antenna 3) and A4 (Antenna 4). The product is delivered with temporary protecting caps that are removed for antenna cable installation.

The antenna interfaces are protected against lightning with special protection devices. To ensure correct operation of these devices it is important, that the earth grounding contact is connected to protective earth as described in chapter 4.4 with a short cable.

The antennas might be fixed in antenna connectors directly or using antenna cables fixed to the antenna connectors. The connectors should be secured to correct torque (typically 100Ncm, check connector manufacturer data), specially for assemblies in vibrating environments.

NOTICE: If one of the antennas is NOT used, the non-used antenna connectors MUST be terminated with 50 ohm termination.

Pin	Signal Name, Function	Notes
1	Center pin: RF signal	Connector Type: N50 – Female
2	Connector body: RF ground	

Table 13 Pinning: RF Antenna Connector

4.5.1 Monitoring Antenna RF Connector

The antenna A4 is the antenna port used for monitoring of the RF spectrum. Connect the monitoring antenna to A5 port.

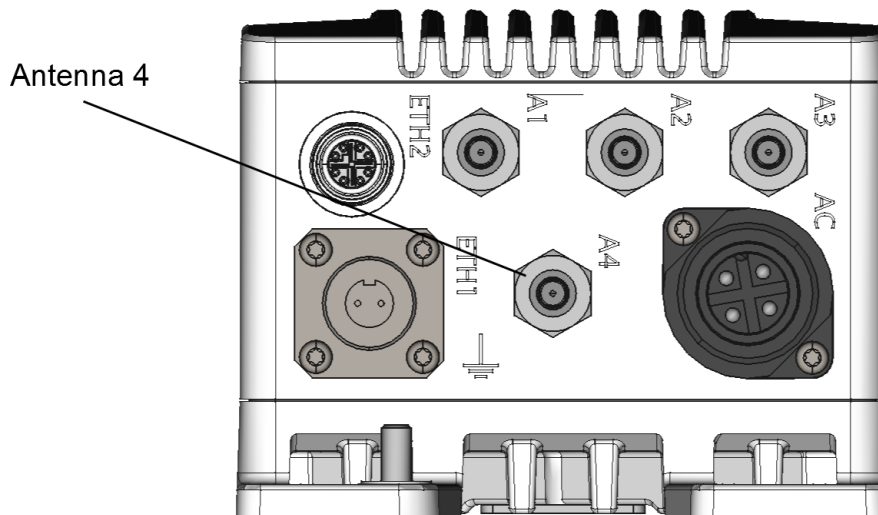


Figure 12 Monitoring Antenna Interface

4.5.2 Communication Antenna RF Connectors

The antenna interfaces A1, A2 and A3 are the antenna ports used for the communication link. Connect the antennas to those ports.

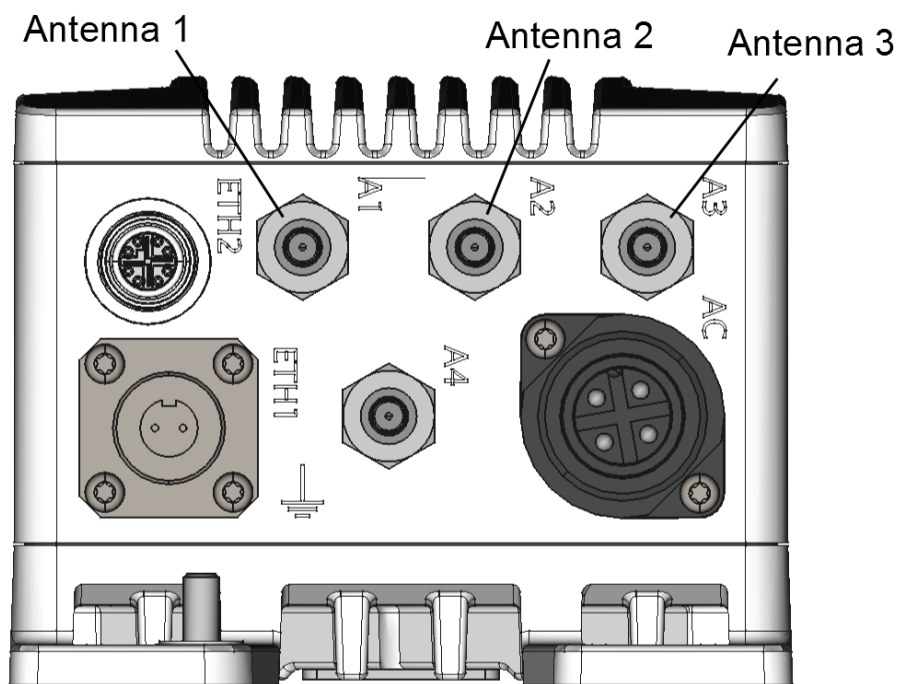


Figure 13 Communication Antenna Interfaces

NOTICE: If only one of the two communication antennas is used, the antenna port A1 MUST be used. Otherwise the device is not operating correctly.

4.6 Connecting the Fiber Optical Cable

The fiber optical Ethernet interface is a 1310nm single mode optical interface. The optical connector is an ODC-2 type.

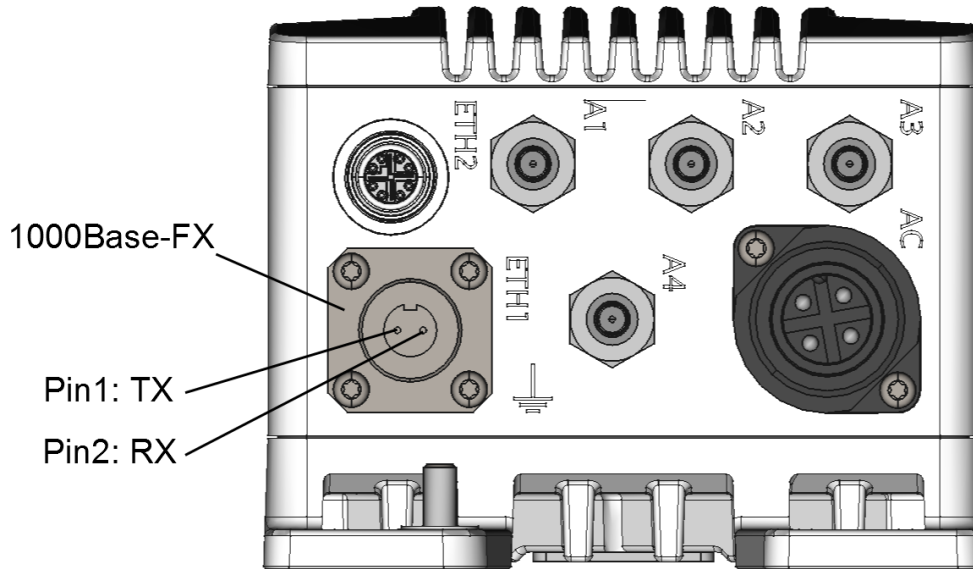


Figure 14 Fiber Optic ETH Interface

Pin	Signal Name, Function	Notes
1	TX (transmitting)	Connector Type: H&S ODC-2
2	RX (receiving)	

Table 14 Pinning: Fiber Optic ETH Connector

Parameter	Value	Notes
Network Standard	1000Base-LX	
Wavelength	1310nm	
Transmit Power	-9.5dBm ... -3dBm	
Receiver Sensitivity	-20dBm or better	
Receiver Saturation	-3dBm	Optical attenuators need to be added to the installation if the optical level is above this limit

Table 15 Fiber Optic ETH Specification

Order of Installation Step	Description
1. Remove dust cap	Remove the temporary plastic dust cap installed at the ODC-2 plug. Do not remove the dust cap before installing the cable. The dust cap is used for transportation phase only, and shall be correctly disposed by installation person.
2. Clean connector	The optical interface and the fiber optic cable may need to be cleaned with isopropyl alcohol and a cleaning tissue.
3. Install the cable	Install the fiber optic cable to the connector. Use correct torque (typically 100Ncm, check connector manufacturer data).

Table 16 Installation Procedure, Installing Fiber Optical Cable

4.7 Connecting the AC Power Feed

The power feed is connected to the AC power feed connector.

NOTICE: The installation of the AC power must be done by trained professionals. It must be ensured that there is no power applied to the AC wires during the installation work.

The Protective Earth must be connected before connecting the power feeds.

NOTICE: When installing the product, it must be ensured that direct access to the AC plug is always possible and that the user is able to disconnect the AC plug to remove power from the device.

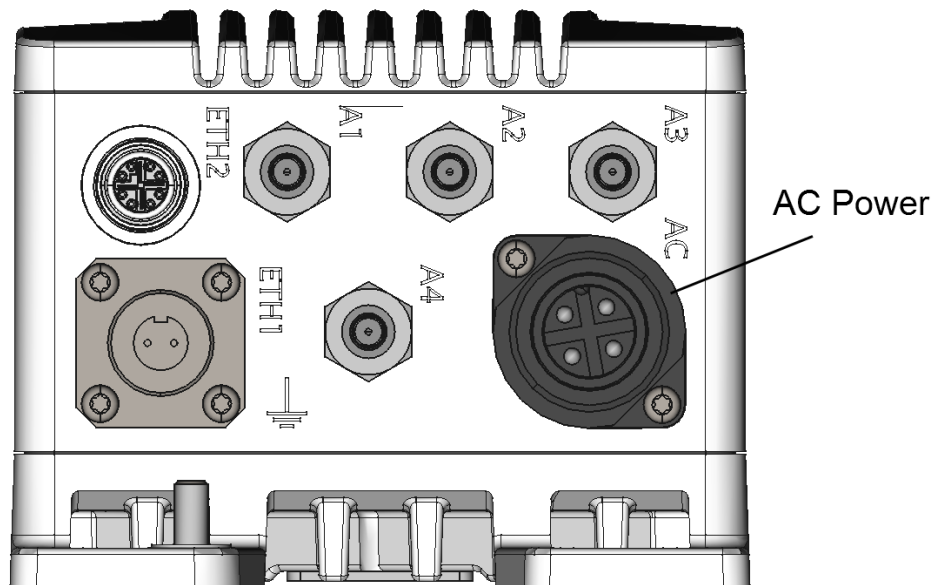


Figure 15 AC Interface

<i>Pin</i>	<i>Signal Name, Function</i>	<i>Notes</i>
1	AC Phase	Connector Type: Binder 693 male socket 3+PE
2	AC Neutral	
3	-	
4	Protective Earth	

Table 17 Pinning: AC Mains Connector

<i>Order of Installation Step</i>	<i>Description</i>
1. Assembly of Binder connector	Assemble cable connector according pin out given above. Use ferrules and follow instructions of system integrator for reliable operation.
2. Install the cable	Install cable to the AC plug Use appr. 1.0Nm tightening torque.

Table 18 Installation Procedure, Installing AC Cable

<i>Parameter</i>	<i>Value</i>	<i>Notes</i>
Nominal voltage range	100V...240V, 50/60Hz	
Min/max voltage range	90..264VAC	Guaranteed min/max operating voltage range
Power consumption	App. 8.5W / 18.5VA App. 10W / 20.0VA	with no user data with user data load
Peak value of inrush current	34A at 240V	Inrush current shall be considered when e.g. selecting an external circuit breaker. The system integrator has to ensure that the devices are selected correctly. Duration and peak value of typical inrush currents are shown in the plot in the Annex
Selecting external power connector and power cable diameter	6...9.5mm	External connector Binder 99-4222-00-04 shall be used for ensuring IP66
	10...12mm	External connector Binder 99-4222-14-04 shall be used for ensuring IP66
Allowed wire cross section	0.5 – 2.5 mm ²	
Fuse		To comply with EN 60950 the AC interface has a built in fuse. The fuse is not user replaceable! In case the fuse is broken the complete product must be sent to manufacturer for repair. The user is not allowed to open the device. By trying to open the device the user will be possessed to a risk of death of injury.

Table 19 Power Feed Specification

4.7.1 Power consumption examples

The power consumption is dependent on the operational parameters, like RF output power, amount of routed traffic and the RX duty cycle.

Test case	Antennas	TX duty cycle	TX output	Amb. Temp.	Avg. Power 100VAC
2.4GHz idle	1x1, 2x2, 3x3	2%	1...3 x 22dBm	-40°C	P = 7.35W / 12.25VA
2.4GHz idle	1x1, 2x2, 3x3	2%	1...3 x 22dBm	+70°C	P = 8.07W / 15.60VA
2.4GHz TX50 SISO, -40	1x1	50%	1 x 22dBm	-40°C	P = 8.08W / 13.55VA
2.4GHz TX50 SISO +70	1x1	50%	1 x 22dBm	+70°C	P = 8.75W / 17.13VA
2.4GHz TX50 2x2MIMO -40	2x2	50%	2 x 22dBm	-40°C	P = 9.08W / 15.39VA
2.4GHz TX50 2x2MIMO +70	2x2	50%	2 x 22dBm	+70°C	P = 9.80W / 19.30VA
2.4GHz TX50 3x3MIMO -40	3x3	50%	3 x 22dBm	-40°C	P = 10.08W / 17.23VA
2.4GHz TX50 3x3MIMO +70	3x3	50%	3 x 22dBm	+70°C	P = 10.85W / 21.47VA
2.4GHz TX90 SISO, -40	1x1	90%	1 x 22dBm	-40°C	P = 8.97W / 15.17VA
2.4GHz TX90 SISO +70	1x1	90%	1 x 22dBm	+70°C	P = 9.63W / 19.00VA
2.4GHz TX90 2x2MIMO -40	2x2	90%	2 x 22dBm	-40°C	P = 10.91W / 18.06VA
2.4GHz TX90 2x2MIMO +70	2x2	90%	2 x 22dBm	+70°C	P = 11.49W / 22.07VA
2.4GHz TX90 3x3MIMO -40	3x3	90%	3 x 22dBm	-40°C	P = 12.85W / 20.95VA
2.4GHz TX90 3x3MIMO +70	3x3	90%	3 x 22dBm	+70°C	P = 13.35W / 25.14VA

Table 20: 2.4GHz power consumption with 100VAC

Test case	Antennas	TX duty cycle	TX output	Amb. Temp.	Avg. Power 100VAC
2.4GHz idle	1x1, 2x2, 3x3	2%	1...3 x 22dBm	-40°C	P = 7.72W / 14.50VA
2.4GHz idle	1x1, 2x2, 3x3	2%	1...3 x 22dBm	+70°C	P = 8.53W / 17.06VA
2.4GHz TX50 SISO, -40	1x1	50%	1 x 22dBm	-40°C	P = 8.49W / 15.57VA
2.4GHz TX50 SISO +70	1x1	50%	1 x 22dBm	+70°C	P = 9.12W / 17.87VA
2.4GHz TX50 2x2MIMO -40	2x2	50%	2 x 22dBm	-40°C	P = 9.40W / 17.00VA
2.4GHz TX50 2x2MIMO +70	2x2	50%	2 x 22dBm	+70°C	P = 10.18W / 19.40VA
2.4GHz TX50 3x3MIMO -40	3x3	50%	3 x 22dBm	-40°C	P = 10.31W / 18.48VA
2.4GHz TX50 3x3MIMO +70	3x3	50%	3 x 22dBm	+70°C	P = 11.24W / 20.93VA
2.4GHz TX90 SISO, -40	1x1	90%	1 x 22dBm	-40°C	P = 9.35W / 16.93VA
2.4GHz TX90 SISO +70	1x1	90%	1 x 22dBm	+70°C	P = 9.89W / 19.04VA
2.4GHz TX90 2x2MIMO -40	2x2	90%	2 x 22dBm	-40°C	P = 10.95W / 19.37VA
2.4GHz TX90 2x2MIMO +70	2x2	90%	2 x 22dBm	+70°C	P = 11.83W / 22.11VA
2.4GHz TX90 3x3MIMO -40	3x3	90%	3 x 22dBm	-40°C	P = 12.55W / 21.81VA
2.4GHz TX90 3x3MIMO +70	3x3	90%	3 x 22dBm	+70°C	P = 13.77W / 25.18VA

Table 21: 2.4GHz power consumption with 230VAC

Test case	Antennas	TX duty cycle	TX output	Amb. Temp.	Avg. Power 230VAC
5GHz idle	1x1, 2x2, 3x3	2%	1...3 x 22dBm	-40°C	P = 7.06W / 11.96VA
5GHz idle	1x1, 2x2, 3x3	2%	1...3 x 22dBm	+70°C	P = 7.89W / 15.67VA
5GHz TX50 SISO, -40	1x1	50%	1 x 21dBm	-40°C	P = 7.80W / 13.16VA
5GHz TX50 SISO +70	1x1	50%	1 x 21dBm	+70°C	P = 8.51W / 16.39VA
5GHz TX50 2x2MIMO -40	2x2	50%	2 x 21dBm	-40°C	P = 8.65W / 14.35VA
5GHz TX50 2x2MIMO +70	2x2	50%	2 x 21dBm	+70°C	P = 9.41W / 18.29VA
5GHz TX50 3x3MIMO -40	3x3	50%	3 x 21dBm	-40°C	P = 9.50W / 15.54VA
5GHz TX50 3x3MIMO +70	3x3	50%	3 x 21dBm	+70°C	P = 10.31W / 20.19VA
5GHz TX90 SISO, -40	1x1	90%	1 x 21dBm	-40°C	P = 8.64W / 14.61VA
5GHz TX90 SISO +70	1x1	90%	1 x 21dBm	+70°C	P = 9.26W / 17.85VA
5GHz TX90 2x2MIMO -40	2x2	90%	2 x 21dBm	-40°C	P = 10.16W / 16.85VA
5GHz TX90 2x2MIMO +70	2x2	90%	2 x 21dBm	+70°C	P = 10.98W / 21.26VA
5GHz TX90 3x3MIMO -40	3x3	90%	3 x 21dBm	-40°C	P = 11.68W / 19.09VA
5GHz TX90 3x3MIMO +70	3x3	90%	3 x 21dBm	+70°C	P = 12.70W / 24.67VA

Table 22: 5GHz power consumption with 100VAC

Test case	Antennas	TX duty cycle	TX output	Amb. Temp.	Avg. Power 230VAC
5GHz idle	1x1, 2x2, 3x3	2%	1...3 x 22dBm	-40°C	P = 7.46W / 14.15VA
5GHz idle	1x1, 2x2, 3x3	2%	1...3 x 22dBm	+70°C	P = 8.40W / 16.42VA
5GHz TX50 SISO, -40	1x1	50%	1 x 21dBm	-40°C	P = 8.19W / 15.30VA
5GHz TX50 SISO +70	1x1	50%	1 x 21dBm	+70°C	P = 8.89W / 17.01VA
5GHz TX50 2x2MIMO -40	2x2	50%	2 x 21dBm	-40°C	P = 9.00W / 16.60VA
5GHz TX50 2x2MIMO +70	2x2	50%	2 x 21dBm	+70°C	P = 9.74W / 18.55VA
5GHz TX50 3x3MIMO -40	3x3	50%	3 x 21dBm	-40°C	P = 9.81W / 17.90VA
5GHz TX50 3x3MIMO +70	3x3	50%	3 x 21dBm	+70°C	P = 10.59W / 20.09VA
5GHz TX90 SISO, -40	1x1	90%	1 x 21dBm	-40°C	P = 9.06W / 16.74VA
5GHz TX90 SISO +70	1x1	90%	1 x 21dBm	+70°C	P = 9.55W / 17.93VA
5GHz TX90 2x2MIMO -40	2x2	90%	2 x 21dBm	-40°C	P = 10.41W / 18.34VA
5GHz TX90 2x2MIMO +70	2x2	90%	2 x 21dBm	+70°C	P = 11.24W / 20.66VA
5GHz TX90 3x3MIMO -40	3x3	90%	3 x 21dBm	-40°C	P = 11.76W / 19.94VA
5GHz TX90 3x3MIMO +70	3x3	90%	3 x 21dBm	+70°C	P = 12.93W / 23.39VA

Table 23: 5GHz power consumption with 230VAC

5 Outdoor Radio Access Point Configuration and Use

The complete configuration process is described in the User Manual [1].

5.1 LED Indicators during Power Up Sequence

LED behavior during power-up sequence is described in document [1] chapter Status Indication.



Figure 16 Power, Operation, Failure and FO Ethernet Interface LEDs

5.2 Connecting the Service Ethernet

The Service 10/100/1000Base-T Ethernet interface can be used either for onsite configuration or for normal backbone interfacing. The Service interface has a protective plug, in case using the interface temporarily please install the protecting cap again after the service port use.

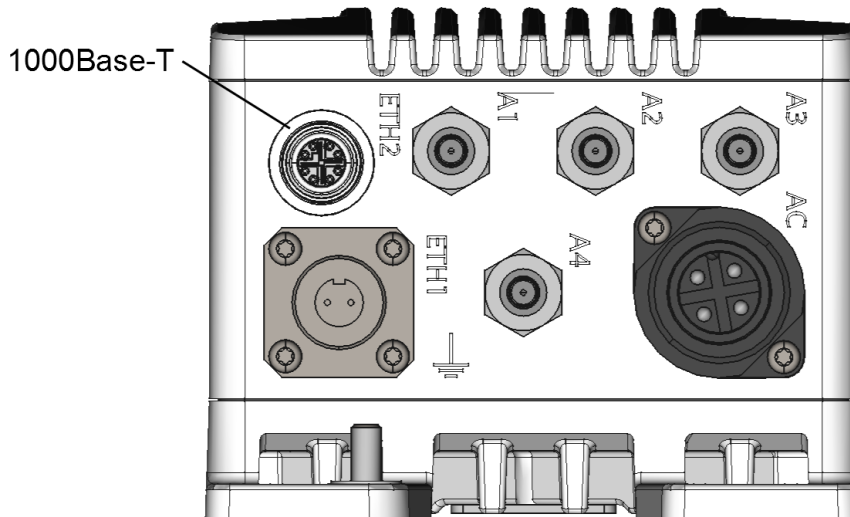


Figure 17 Service 1000Base-TX Interface

The connectors should be assembled with correct torque (appr. 1.0Nm, check connector manufacturer data).

Connector Pin	Signal name, Function	Notes
1	MX1 +	Connector Type: Industrial ETHERNET M12-Socket "X"-coded
2	MX1 -	
3	MX2 +	
4	MX2 -	
5	MX4 +	
6	MX4 -	
7	MX3 -	
8	MX3 +	
Housing	Ground	For possible cable protection/ screening

Table 24 Service 1000Base-TX Connector

NOTICE: The Pinning is compliant to IONA, Industrial Ethernet Planning and Installation Guide, Release 4.0.

5.2.1 Service Ethernet Port Features

The Ethernet port supports the following network standards:

Network Standard	Description
10BASE-T	Ethernet over two pairs of twisted wires
100BASE-TX	Fast Ethernet over two pairs of twisted wires
1000BASE-TX	Gigabit Ethernet over four pairs of twisted wires

Table 25 4.6.1 Ethernet Port Features

The Ethernet port support auto-negotiated 10Mbps / 100Mbps / 1000Mbps operation. Automatic MDI/MDIX crossover is supported for 1000BASE-T, 100BASE-T and 10BASE-T operation. For final installation the use of auto-negotiation is however not recommended.

5.3 AP-5312F Factory Reset Interface, Process for Factory Reset

A factory reset is not typically needed for the installation. It is required if the device configuration is lost and the device shall be set to a known configuration.

The Factory Reset is performed with a specific factory reset adapter that is connected to the Service Ethernet port during the start-up.

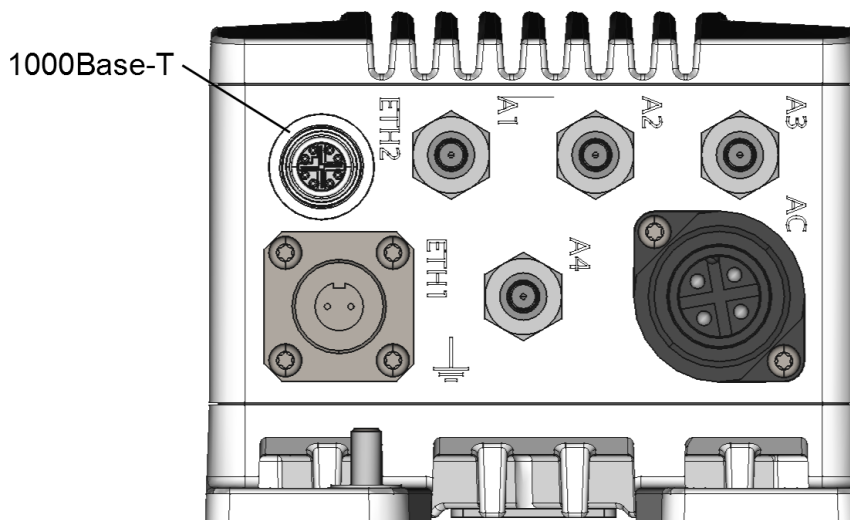


Figure 18 Service Ethernet Port for Factory Reset

NOTICE: The Service Ethernet Interface connector fulfills the IP-protection when the cable plug or the dust cap is connected. If the Service Ethernet function is not used in application, the protective dust cap must be closed.

5.3.1 Factory Reset Adapter Specification

Factory reset adapter is a special plug for the Ethernet interface that activates the Factory Reset signal.

There is specific factory reset adapter available from DT-5302R supplier, product code:

Neratec Solutions AG
DT50 FACTORY RESET PLUG X-CODED
Part Nr: 104094



Figure 19 Neratec DT50 FACTORY RESET PLUG X-CODED

5.3.2 Factory Reset Procedure

The Factory Reset is performed with a factory reset adapter that is connected to the Service Ethernet port during the start-up.

Step	Description
1.	Plug the factory reset adapter to the Service Ethernet interface.
2.	Power the device
3.	Wait until factory reset adapter is detected. This is indicated by a ORANGE operation LED in combination with a RED status LED
4.	Remove factory reset adapter within 15 seconds
5.	A successful initiation of a factory Reset is indicated by a ORANGE BLINKING operation LED in combination with a RED BLINKING failure LED

Table 26 Factory Reset Procedure

After successful factory reset, the dust cap must be closed to ensure the IP requirements.

6 Maintenance



Danger!

Never try to open the device. There are no serviceable parts inside! By trying to open the device you will be exposed to a risk of death or injury.

6.1 Cleaning– Resistance to Chemicals

In case the product is cleaned with cleaning chemicals, the resistance to chemicals of the plastic parts needs to be respected. The following plastic materials are used in AP-5312F:

AC Connector

Polybutylene terephthalate (PBT)

Polyamide 66 (PA66)

Service Ethernet Connector Dust Cap

Polyamide 66 (PA66)

Polyurethane (PUR)

Pressure Equalizer Vent

Polyamide 6 (PA6)

Polytetrafluoroethylene (PTFE)

Stickers

Autotex XE

The resistance to chemicals of the materials mentioned above has been communicated. For guidance which cleaning liquids are allowed for the cleaning of the product, Neratec is to be contacted.

6.2 Troubleshooting Based on Functional Behavior

Please read in the user manual [1] the chapter troubleshooting instructions.

6.3 Repair Work

The product is exchanged as a whole. On module level no repair work is done in the field. Broken units need to be returned to the manufacturer for repair.

6.3.1 Product Exchange

<i>Order of Installation Step</i>	<i>Description</i>
1. Remove Cables	Remove cables in the following order: <ul style="list-style-type: none"> • AC cable • Antenna cable A1 • Antenna cable A2 • Antenna cable A3 • Antenna cable A4 • Optical cable Do not touch connector end surface and protect it from damages • Protective earth cable
2. Open Screw	The 4 M6 screws must be opened and removed completely
3. Exchange	Lift the product out of its position. Place a new product to its position
4. Fix Screws	The 4 M6 screws in each corner must be fixed.
5. Connect Cables	Connect cables in the following order: <ul style="list-style-type: none"> • Protective earth cable • Antenna cable A4 • Antenna cable A3 • Antenna cable A2 • Antenna cable A1 • Optical cable Clean optical connector with isopropyl alcohol before installation Note anti-rotation-key • AC cable Check correct wiring
6. Configure	Download configuration to the new product