



# Ibex-RT-630-5G Series

EN 50155 5G and WLAN Router



# Table of Contents

1. General Information .....	3
1.1. Legal Information .....	3
1.2. About This Guide .....	3
1.3. Software Tools .....	3
1.4. License and Copyright for Included FLOSS .....	3
2. Safety and Regulations .....	4
2.1. Warning Levels .....	4
2.2. Safety Information .....	5
2.3. Care Recommendations .....	7
2.4. Product Disposal .....	7
2.5. Compliance Information .....	8
2.5.1. Agency Approvals and Standards Compliance .....	9
2.5.2. Simplified Declaration of Conformity .....	10
3. Product Description .....	11
3.1. Product Description .....	11
3.2. Available models .....	12
3.3. Hardware Overview .....	12
3.3.1. Frontside Overview .....	12
3.3.2. Front Side Label .....	13
3.3.3. Interface Ports View .....	14
3.4. Connector Information .....	15
3.4.1. Power Input Connection .....	15
3.4.2. SIM Card Slot .....	15
3.4.3. Ethernet Ports .....	17
3.4.4. Antenna Ports .....	17
3.5. LED Indicators .....	18
3.6. Dimensions .....	18
4. Installation .....	20
4.1. Mounting .....	20
4.2. Factory Reset .....	20
4.3. Earth connection .....	21
4.4. Connection of Cables .....	21
4.5. Cooling .....	22
4.6. Replacement of Product .....	24
5. Specifications .....	25
5.1. Interface Specifications .....	25
5.2. Type Tests and Environmental Conditions .....	30
6. Abbreviations and Terms .....	32
7. Revision Notes .....	35

# 1. General Information

## 1.1. Legal Information

The contents of this document are provided “as is”. Except as required by applicable law, no warranties of any kind are made in relation to the accuracy and reliability or contents of this document, either expressed or implied, including but not limited to the implied warranties of merchantability and fitness for a particular purpose. Westermo reserves the right to revise this document or withdraw it at any time without prior notice.

Under no circumstances shall Westermo be responsible for any loss of data or income or any special, incidental, and consequential or indirect damages howsoever caused.

More information about Westermo can be found at [www.westermo.com](http://www.westermo.com).

## 1.2. About This Guide

This guide is intended for installation engineers and users of the Westermo products.

It includes information on safety and regulations, a product description, installation instructions and technical specifications.

## 1.3. Software Tools

Related software tools are available at <https://www.westermo.com/support/product-support>.

## 1.4. License and Copyright for Included FLOSS

This product includes software developed by third parties, including Free/Libre Open Source Software (FLOSS). The specific license terms and copyright associated with the software are included in each software package respectively. Please visit the product web page for more information.

Upon request, the applicable source code will be provided. A nominal fee may be charged to cover shipping and media. Please direct any source code request to your normal sales or support channel.

## 2. Safety and Regulations

### 2.1. Warning Levels

Warning signs are provided to prevent personal injuries and/or damages to the product. The following levels are used:





Level of warning	Description	Consequence personal injury	Consequence material damage
 WARNING	Indicates a potentially hazardous situation	Possible death or major injury	Major damage to the product
 CAUTION	Indicates a potentially hazardous situation	Minor or moderate injury	Moderate damage to the product
 NOTICE	Provides information in order to avoid misuse of the product, confusion or misunderstanding	No personal injury	Minor damage to the product
 NOTE	Used for highlighting general, but important information	No personal injury	Minor damage to the product

Table 1. Warning levels

## 2.2. Safety Information

### Before installation:

Read this manual completely and gather all information available on the product. Make sure it is fully understood. Check that your application does not exceed the safe operating specifications for the product.



### **SAFETY DURING INSTALLATION**

The product must be installed and operated by qualified service personnel and installed into an apparatus cabinet or similar, where access is restricted to service personnel only. For Ibex products, outdoor installation is allowed.

Before energising and connecting communication cables to the product, ensure a protective earthing conductor is first connected to the protective earthing terminal (only valid for metallic housings). Westermo recommends a cross-sectional area of at least 4 mm<sup>2</sup>.

Upon removal of the product, disconnect the product from the power supply and all other communication ports before disconnecting the protective earthing conductor.



### **HAZARDOUS VOLTAGE**

Do not open an energised product. Hazardous voltage may occur when connected to a power supply.



### **PROTECTIVE FUSE**

The power supply wiring must be sufficiently fused.

It must be possible to disconnect manually from the power supply. Ensure compliance to national installation regulations.



### **POWER SUPPLY CONNECTION**

There are safety regulations governing the power source that can be used in conjunction with the product. Refer to chapter Interface Specifications.



### **RADIO PRODUCTS**

Observe the usage limitations of radio products at filling stations, in chemical plants, in systems with explosives or potentially explosive locations.

The product may not be used in airplanes. Exercise particular caution near personal medical aids, such as pacemakers and hearing aids. Never perform work on the antenna system during a thunderstorm.

To fulfill human safety, a minimum separation distance of 20 cm or more should be maintained between the antenna of the product and personnel during operation.



### **HOT SURFACE**

Be aware that the surface of this product may become hot. When it is operated at high temperatures, the external surface may exceed Touch Temperature Limit according to the product's relevant electrical safety standard.

This product complies with Touch Temperature Limits throughout its operational temperature range.



### **CORROSIVE GASES**

If the product is placed in a corrosive environment, it is important that all unused connector sockets are protected with a suitable plug, in order to avoid corrosion attacks on the gold plated connector pins.



### **CABLE TEMPERATURE RATING FOR FIELD TERMINAL WIRES**

There may be a requirement on the minimum temperature rating of the cable to be connected to the field wiring terminals, see chapter Interface Specifications.

### 2.3. Care Recommendations

Follow the care recommendations below to maintain full operation of the product and to fulfill the warranty obligations:

- Do not drop, knock or shake the product. Rough handling above the specification may cause damage to internal circuit boards.
- Use a dry or slightly water-damp cloth to clean the product. Do not use harsh chemicals, cleaning solvents or strong detergents.
- Do not paint the product. Paint can clog the product and prevent proper operation.

If the product is used in a manner not according to specification, the protection provided by the equipment may be impaired.

If the product is not working properly, contact the place of purchase, the nearest Westermo distributor office or Westermo technical support.



#### NOTE

Devices not used shall be kept in the factory sealed moisture barrier bag. Open, unsealed devices should not be kept unpowered for more than 30 days.

### 2.4. Product Disposal

This symbol means that the product shall not be treated as unsorted municipal waste when disposing of it. It needs to be handed over to an applicable collection point for recycling electrical and electronic equipment.

By ensuring the product is disposed of correctly, you will help to reduce hazardous substances and prevent potential negative consequences to both the environment and human health, which could be caused by inappropriate disposal.



Figure 1. WEEE symbol for treatment of product disposal

## 2.5. Compliance Information



### **REGULATORY NOTICE**

Any changes or modifications shall be approved by the party responsible for compliance. If not, users could void the user's authority to operate the equipment. Country code and antenna gain need to be set properly for correct functionality in the installed country.



## 2.5.1. Agency Approvals and Standards Compliance

Approvals and Standards	
Climate	<ul style="list-style-type: none"> <li>EN 50155, class OT4 Railway applications - Electronic equipment used on rolling stock</li> </ul>
EMC	<ul style="list-style-type: none"> <li>EN 50155, Railway applications - Electronic equipment used on rolling stock</li> <li>EBA EMV 06, German Federal Railway Authority, Radio compatibility of rail vehicles</li> <li>EN 50121-3-2, Railway applications – Electromagnetic compatibility, Part 3-2: Rolling stock – Apparatus</li> <li>ETSI EN 301 489-1, Electromagnetic compatibility (EMC) and Radio spectrum Matters (ERM) for radio equipment and services - Part 1: Common technical requirements</li> <li>ETSI EN 301 489-17, Electromagnetic compatibility (EMC) and Radio spectrum Matters (ERM) for radio equipment - Part 17: Specific conditions for Broadband Data Transmission Systems</li> <li>ETSI EN 301 489-19, Electromagnetic Compatibility (EMC) standard for radio equipment and services - Part 19: Specific conditions for Receive Only Mobile Earth Stations (ROMES) operating in the 1,5 GHz band</li> <li>ETSI EN 301 489-24, Electromagnetic compatibility (EMC) and Radio spectrum Matters (ERM) for radio equipment and services - Part 24: Specific conditions for IMT-2000 CDMA Direct Spread (UTRA) for Mobile and portable (UE) radio and ancillary equipment</li> <li>ETSI EN 301 489-52, Electromagnetic Compatibility (EMC) standard for radio equipment and services - Part 52: Specific conditions for Cellular Communication Mobile and portable (UE) radio and ancillary equipment</li> </ul>
Mechanical (Shock and vibration)	<ul style="list-style-type: none"> <li>EN 61373 category 1, class A and B</li> <li>EN 60068-2-27, 100 m/s<sup>2</sup>, 30 ms</li> <li>MIL STD 810G Method 516.7, 10 g, 11 ms</li> </ul>
Insulation (Coordination and test)	<ul style="list-style-type: none"> <li>EN 50124-1, Railway applications – Insulation coordination</li> <li>EN 50155, Railway applications - Electronic equipment used on rolling stock</li> </ul>
Radio communication	<ul style="list-style-type: none"> <li>ETSI EN 300 328, Wideband transmission systems; Data transmission equipment operating in the 2.4 GHz ISM band and using wide band modulation techniques</li> <li>ETSI EN 301 893, 5 GHz RLAN</li> <li>ETSI EN 300 440, Short Range Devices (SRD)</li> <li>ETSI EN 301 908-1, IMT cellular networks, Part 1: Introduction and common requirements</li> <li>ETSI EN 301 908-13, IMT cellular networks, Part 13: Evolved Universal Terrestrial Radio Access (E-UTRA)</li> <li>3GPP LTE Advanced standard</li> <li>3GPP Release 16 - 5G NSA/SA</li> <li>IEEE802.11, Wireless LAN Medium Access Control (MAC) and Physical Layer (PHY) Specifications</li> </ul>
Safety	<ul style="list-style-type: none"> <li>IEC EN 61010-1, Safety Requirements for electrical equipment for measurement, control, and laboratory use</li> <li>EN 45545-2, Fire protection on railway vehicles</li> </ul>

### 2.5.2. Simplified Declaration of Conformity

Hereby, Westermo declares that this product is in compliance with applicable EU directives and UK legislations. The full declaration of conformity and other detailed information is available at [www.westermo.com/support/product-support](http://www.westermo.com/support/product-support).



*Figure 2. The European Conformity and the UK Conformity Assessment markings*

## 3. Product Description

### 3.1. Product Description

The Ibox-RT-630-5G is a mobile 5G router for onboard usage in trains, trams, locomotives, mining vehicle and bus applications. The router offers outstanding performance and rugged internet connectivity back-up to enable hybrid train-to-ground installations with a single device. It makes full use of the 5G cellular networks and 2.4 and 5 GHz WLAN bands.

The device utilizes a high performance GNSS receiver with concurrent reception of up to 4 GNSS signals from GPS, Galileo, GLONASS or BeiDou systems.

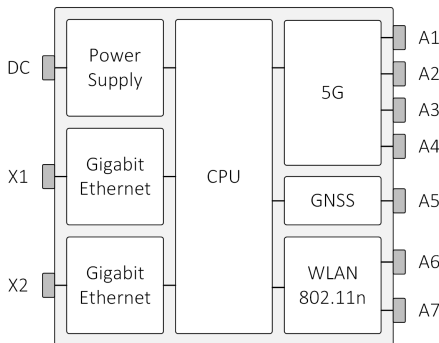


Figure 3. Ibox-RT-630-5G block diagram

The Westermo configuration management tool, WeConfig, can be used for discovery and basic configuration and maintenance. The configuration can be done via SNMP or via WebGUI. The status information is available in local LED status indicators, and through SNMP/WebGUI.

The Mobile Communication Gateway (MCG) router is designed to withstand the tough onboard environmental conditions and can be remotely managed using web browser or SNMP management tools. The MCG provides advanced firewall functionalities and high-performance VPN connectivity.

Integrating hardware, software and network design support tools, this router platform offers advanced capabilities, the lowest total cost of ownership and will create the most reliable and resilient networks.

The is engineered to maintain uninterrupted data communication, even in exceptionally harsh environments. Tested and certified to withstand extreme temperatures, vibrations and shocks, these routers only use industrial grade components which contributes towards a market leading mean time between failure (MTBF), maximized service life, and reduced operational and life cycle costs.

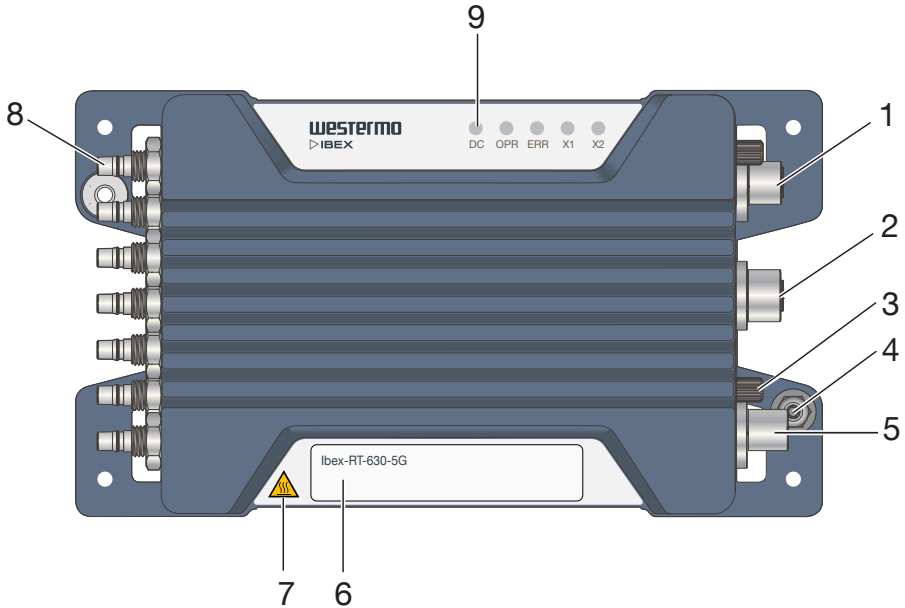
### 3.2. Available models

Art. no.	Model	Region	PoE Port	Rated current
3629-06301	Ibex-RT-630-5G-LV EU	Europe	X2	24 VDC

Table 2. List of available models

### 3.3. Hardware Overview

#### 3.3.1. Frontside Overview



No.	Description		
1 & 2	Gigabit Ethernet ports X1 and X2	3	SIM card slot
4	Protective earth terminal	5	Power input DC
6	Frontside label	7	Warning symbol for surface temperatures above +60°C
8	Antenna ports A1 - A7	9	LED indicators

Table 3. Location of interface ports and LED indicators

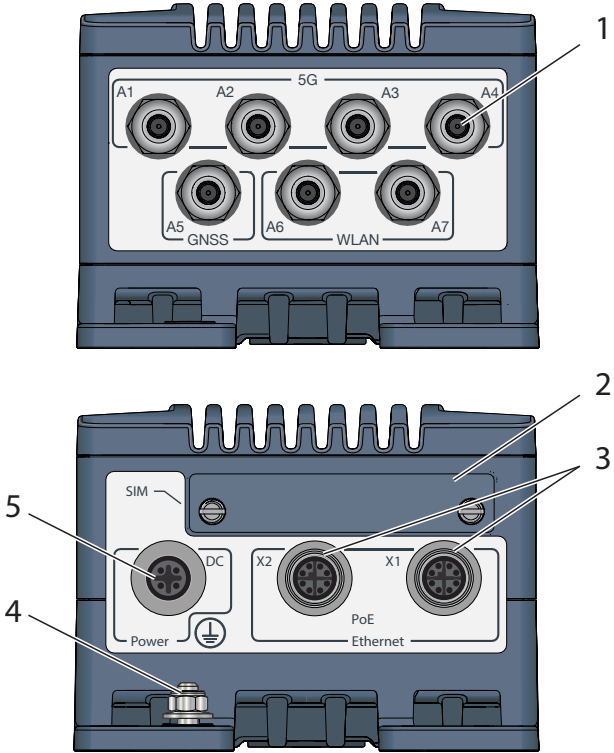
### 3.3.2. Front Side Label



No.	Description	Remarks
1	Article number	Example of article number
2	Serial number	Example of serial number
3	Manufacturing date	The Date Format is: YYWW YY = Manufacturing Year WW = Manufacturing Week
4	QR code	The data matrix is: AAAAAAAAAARR-1-VV-SSSSSSS-YYWW AAAAAAAAA = Article number RR = Region code VV = Product revision SSSSSSS = Serial number YY = Manufacturing Year WW = Manufacturing Week

Table 4. Front side label

### 3.3.3. Interface Ports View



No.	Description	No.	Description
1	Antennas	2	SIM
3	1000Base-T	4	Grounding point
5	Power		

Table 5. Interface ports view

### 3.4. Connector Information

#### 3.4.1. Power Input Connection

Marking	Position	Direction	Description	
DC	1	+DC	Positive terminal	
	2	-		
	3	-DC	Negative terminal	
	4	-		
	Housing	Shield	Chassis of product (ground)	

Table 6. M12 A-coded 4-pin male power connector according to IEC 61076-2-101



#### NOTE

If the product is powered by PoE, the protective dust cap which is part of the delivery must be closed to protect the power interface from water or dust ingress.

#### 3.4.2. SIM Card Slot

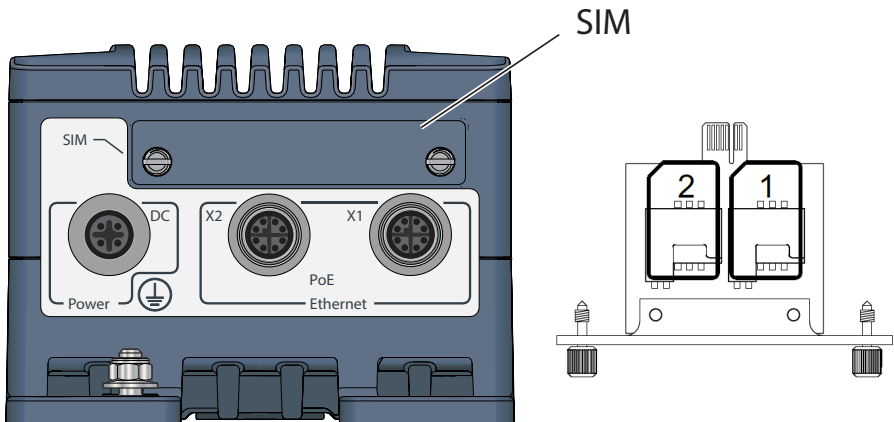


Figure 4. SIM card slot

To remove the SIM card drawer, untighten the two knurled screws until they are loose and not anymore connected to the unit frame. Carefully move the drawer out of the frame. Place the SIM cards into the sockets in slot 1 and/or slot 2 with the contacts facing down. Let chamfered corners align according markings on the drawer.

Put the SIM card drawer back into the unit, ensuring that it fits into place and tighten the knurled screws on both sides until the drawer is fully inserted and plane with the unit frame.



**NOTICE**

To use the device in its specified temperature range it is important to use a robust industrial SIM card with extended temperature range.



**NOTICE**

In order to guarantee proper IP against dust and water, please check carefully that the drawer is fully inserted and screws are properly tightened.



**NOTICE**

Before removing and inserting the SIM drawer, ensure that power has been turned off by removing the power connector from the unit.



**NOTE**

The sim cards must be fully inserted into the sockets until the mechanical stop.



**NOTE**

The product supports two SIM cards with the restriction that only one SIM card is active.



### 3.4.3. Ethernet Ports

Marking	Position	Direction	Description	
X1/X2	1	In/Out	DA+	
	2	In/Out	DA-	
	3	In/Out	DB+	
	4	In/Out	DB-	
	5	In/Out	DD+	
	6	In/Out	DD-	
	7	In/Out	DC-	
	8	In/Out	DC+	
	Housing	Shield	Chassis of product (ground)	

Table 7. M12 X-coded 8-pin female Ethernet connector according to IEC 61076-2-109

Position	Device mode A	Device mode B
1	+DC	
2	+DC	
3	-DC	
4	-DC	
5		-DC
6		-DC
7		+DC
8		+DC

Table 8. Ethernet PoE connection on X2



#### NOTE

If the Ethernet function is not used, the protective dust cap which is part of the delivery must be closed to protect the interface from water or dust ingress.

### 3.4.4. Antenna Ports

The antenna connectors are identified on the product with A1 to A7. QMA industrial standard connector is used.

A1 to A4 are used for 5G communication. It is recommended to use all 4 antenna ports.

A6 and A7 are used for WLAN communication. At least A6 must be connected to an external WLAN antenna. The antenna configuration is made through the software interface.

A5 is used for the included GNSS receiver. The antenna port must be connected to an external GNSS antenna.



**NOTICE**

Any unused antenna ports must be properly terminated with 50 Ohm, otherwise the product might be damaged when power is applied to a non-terminated antenna port.



**NOTE**

To ensure specified IP protection, suitable QMA connectors/cables and terminations must be used.

**3.5. LED Indicators**



Figure 5. LED indicators

LED	Description
DC	Power status
OPR	Operation status
ERR	Error status
X1	Ethernet status for X1 port
X2	Ethernet status for X2 port

Table 9. LED indicators

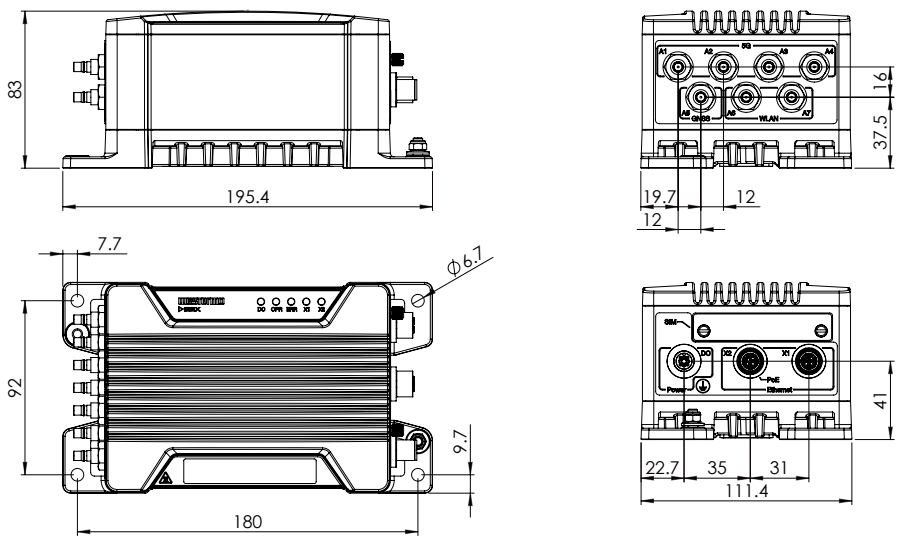


**NOTE**

Refer to management guide for detailed LED status indication.

**3.6. Dimensions**

Dimensions are stated in mm and are regardless of variants.



## 4. Installation

### 4.1. Mounting

The product is fixed with the four fixing points located at the corners of the product. M5 or M6 screws are used for the fixation of the product. The screws are tightened with min. 3.0 Nm (fixing screw ISO 898/1, quality class 8.8).



#### NOTICE

All four specified fixing points must be used for fixing. The installation surface should be flat to have all fixing points connected to the surface.



#### NOTE

For indoor installation, consider additional protection against dust to ensure proper heat dissipation.



#### NOTE

For outdoor installation, consider additional protection against sun radiation, dust and dirt to optimize ambient temperature range.



#### NOTE

Unused connectors must be covered by a protective cap (delivered with the product), tightened to the specified torque in order to fulfill the specified ingress protection code.

### 4.2. Factory Reset

To reset the product into factory default settings, a reset adapter is needed which is plugged into one of the Ethernet ports X1 or X2 during startup.

Art. no.	Description
3623-0799	Factory Reset Plug, X-coded

#### **Factory reset procedure**

1. Plug the factory reset adapter to one of the Ethernet interfaces.

2. Power the product.
3. Wait until factory reset adapter is detected. This is indicated by solid RED ON LED.
4. Remove factory reset adapter within 15 seconds.
5. Successful initiation of the factory reset is indicated by blinking RED ON LED.

### 4.3. Earth connection

For correct function, the earth connection at the grounding point needs to be properly connected to a solid ground. An M5 grounding screw at the housing is used for grounding. A short wire with a cross section of at least 4 mm<sup>2</sup> shall be used. The grounding wire is set below the rip-lock washer. The nut is fixed for good reliable grounding contact. The tightening torque of the nut shall be 2.0 Nm.

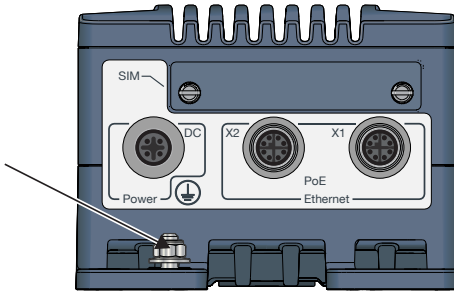


Figure 7. Earth connection



#### NOTICE

Do not use equipment without protective earth connection.

### 4.4. Connection of Cables

Recommended tightening torque for the M12 connectors is 0.6 Nm. All M12 connections are screw connections.

When connecting the power cable, ensure that the pins are connected correctly before tightening the power cable to the unit.



#### NOTE

This product has no replaceable fuse and should be connected via an external fuse for protection.

## 4.5. Cooling

This product uses convection cooling. Make sure that it is installed so that the ambient temperature is within the specified temperature range, e.g. by avoiding obstruction of the airflow around the product.

It is recommended to install the product in areas where the natural convection airflow is not blocked and that there is enough spacing around the product.

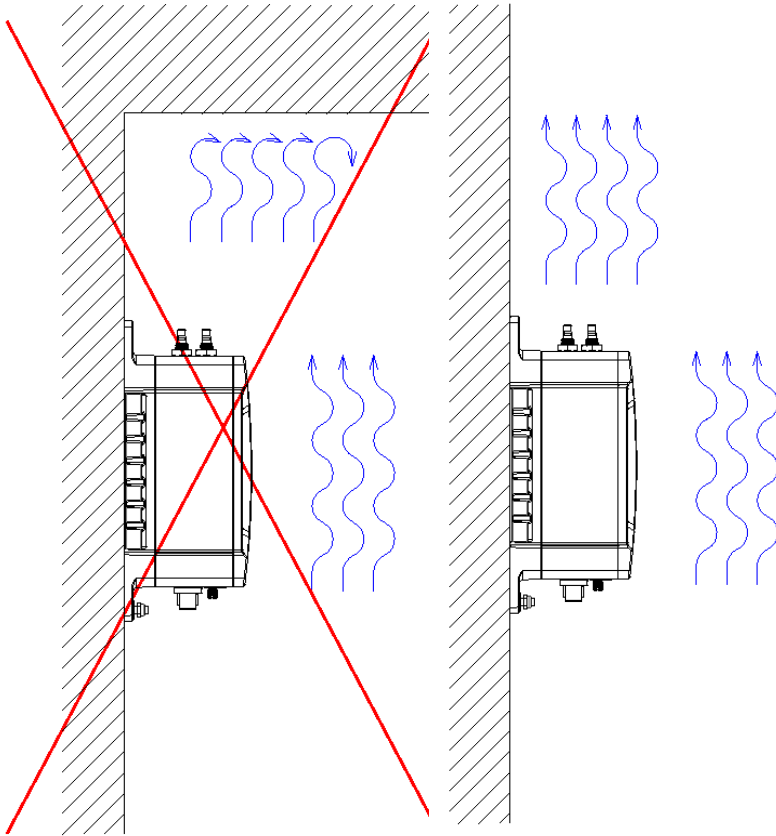


Figure 8. Installation with reduced natural convection airflow

Figure 9. Installation with natural convection airflow

When operating the product at high ambient temperatures, it is recommended to mount the product to a metallic base plate to improve the heat dissipation. The base plate increases the surface to spread the heat.

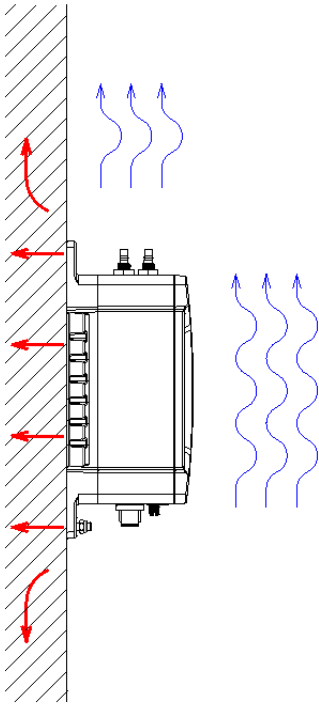


Figure 10. Improved heat transfer based on fixing plate and natural convection



**NOTICE**

Limited air flow is rising the product temperature and may lower the upper limit of the operating temperature range.



**NOTICE**

Temperature is dependent on the operational parameters, like RF output power, amount of traffic.

**NOTICE**

This product has integrated temperature sensors for monitoring the internal device temperatures. If temperature limits are exceeded, alarms are sent through the SW interface.

**NOTICE**

The operating conditions shall be ensured so that the normal operation does not cause temperature alarms. Improve installation conditions or RF parameters in case of any temperature alarms.

#### 4.6. Replacement of Product

The device cannot be repaired. In case of a malfunction, it must be replaced.

Disconnect all cables and unscrew the product from the wall. Mount the replacement product and reconnect all cables, observing the instructions in Connection of Cables.

MTTR (Mean Time To Repair), i.e. time for replacement of product is: < 10 minutes.

**HOT SURFACE**

Be aware that the surface of this product may become hot. When it is operated at high temperatures, the external surface may exceed Touch Temperature Limit according to the product's relevant electrical safety standard.

This product complies with Touch Temperature Limits throughout its operational temperature range.



## 5. Specifications

### 5.1. Interface Specifications

<b>DC, Power port</b>	
Connector	M12 A-coded male
Rated voltage	24 VDC
Operating voltage	16.8 to 31.2 VDC
Rated current	0.6 A
Rated frequency	DC
Inrush current	44 mA <sup>2</sup> s at 24 VDC
Startup current	2 x rated current
Polarity	Reverse polarity protected
Redundant power input	No
Conductor cross section (flexible)	> 0.5 mm <sup>2</sup> (AWG 20)
Cable temperature rating	-40 to +70°C
Shielded cable	Not required

<b>PoE (on X2 only)</b>	
Connector	M12 X-coded female
Device mode	A and B
Rated voltage	48 VDC
Operating voltage	42.5 to 57 VDC
Power classification	Class 4

<b>Ethernet TX</b>	
Connector	M12 X-coded female
Electrical specification	IEEE std 802.3
Data rate	10 Mbit/s, 100 Mbit/s, 1000 Mbit/s, manual or auto
Duplex	Full or half, manual or auto
Transmission range	Up to 100 m with CAT5e cable or better
Cabling	Shielded cable CAT5e or better is recommended
Conductive chassis	Yes

**NOTE**

The product is to be connected to internal Ethernet networks without exiting a facility and being subjected to TNVs.

**NOTICE**

To avoid damages on the Ethernet interfaces, ensure that the far end side of the Ethernet cable shield itself is connected to protective earth.

**SIM card**

SIM type	Mini-SIM 2FF
Recommended temperature rating	Industrial grade

**Antenna WLAN (A6 and A7)**

Connector	QMA female
Direction	Transmit and receive
Cabling	50 Ohm coaxial cable and WLAN antenna required
Conductive chassis	Yes
WLAN interface	High-power 2x2 MIMO 802.11n Access Point/Client
WLAN frequency bands	2.400 to 2.4835 GHz, 5.150 to 5.350 GHz, 5.470 to 5.725 GHz, 5.725 to 5.850 GHz
Transmitting power	Max. conducted combined transmit power within the whole frequency range: 1 port: BPSK...16QAM: 22 dBm, 64QAM: 20 dBm 2 ports: BPSK...16QAM: 25 dBm, 64QAM: 23 dBm

**NOTICE**

Depending on the installation country there are frequency/band restrictions and output power limitations.

<b>Antenna 5G (A1 to A4)</b>	
Connector	QMA
Direction	Transmit and receive
Cabling	50 Ohm coaxial cable and 5G antenna required
Conductive chassis	Yes
Mobile interface	4x4 MIMO 5G , sub 6GHz, LTE fallback DL Cat 19 / UL Cat 18, UMTS WDMCA, 3GPP Release 16 NSA/SA operation
Mobile frequency bands	<p><b>5G NR SA:</b> n1/n2/n3/n5/n7/n8/n12/n13/n14/n18/n20/n25/n26/n28/n29/n30/n38/n40/n41/n48/n66/n70/n71/n75/n76/n77/n78/n79</p> <p><b>5G NR NSA:</b> n1/n2/n3/n5/n7/n8/n12/n13/n14/n18/n20/n25/n26/n28/n29/n30/n38/n40/n41/n48/n66/n70/n71/n75/n76/n77/n78/n79</p> <p><b>LTE-FDD:</b> B1/B2/B3/B4/B5/B7/B8/B12/B13/B14/B17/B18/B19/B20/B25/B26/B28/B29/B30/B32/B66/B71</p> <p><b>LTE-TDD:</b> B34/B38/B39/B40/B41/B42/B43/B48</p> <p><b>LAA:</b> B46 (TDD)</p> <p><b>UMTS-WCDMA:</b> B1/B2/B4/B5/B8/B9/B19</p>
MIMO	<p><b>5G-SA</b> DL 4 × 4 MIMO: n1/n3/n7/n38/n40/n41/n77/n78 UL 2 × 2 MIMO: n38/n40/n41/n77/n78</p> <p><b>5G-NSA</b> DL 4 × 4 MIMO: n1/n3/n7/n38/n40/n41/n77/n78</p> <p><b>LTE</b> DL 4 × 4 MIMO: B1/B3/B7/B38/B40/B41/B42/B43</p>
Transmitting power	<p>Class 3 (23 dBm) for 5G NR bands Class 2 (26 dBm) for 5G NR HPUE bands (n38/n40/n41/n77/n78/n79) Class 1.5 (29 dBm) for 5G NR HPUE2 bands (n41/n77/n78/n79) Class 3 (23 dBm) for LTE bands Class 2 (26 dBm) for LTE HPUE bands (B38/B41/B42/B43) Class 3 (24 dBm) for WCDMA bands</p>
Antenna mapping	<p><b>A1:</b> 5G NR: - Refarmed: LB<sup>a</sup>: TX0/PRX &amp; MHB<sup>b</sup>: TX0/PRX &amp; UHB<sup>c</sup>: TX1/DRX - n41 TX0/PRX - n77/n78<sup>d</sup>/n79<sup>e</sup>: TX1/DRX LTE: LB TX0/PRX &amp; MHB TX0/PRX &amp; UHB TX1/DRX WCDMA: LMB TRX</p> <p><b>A2:</b> 5G NR: - Refarmed: MHB PRX MIMO &amp; UHB PRX MIMO - n41 PRX MIMO - n77/n78/n79 PRX MIMO LTE: MHB PRX MIMO &amp; UHB PRX MIMO &amp; LAA<sup>f</sup>: PRX</p> <p><b>A3:</b> 5G NR:</p>

### Antenna 5G (A1 to A4)

- Refarmed: MHB TX1<sup>g</sup>/DRX MIMO & UHB TX0/PRX  
 - n41 TX1/DRX MIMO  
 - n77/n78/n79 TX0/PRX  
 LTE: MHB TX1<sup>g</sup>/DRX MIMO & UHB TX0/PRX

**A4:**  
 5G NR:  
 - Refarmed: LB TX1 / DRX & MHB DRX & UHB DRX MIMO  
 - n41 DRX  
 - n77/n78/n79 DRX MIMO  
 LTE: LB TX1/DRX & MHB DRX & UHB DRX MIMO & LAA DRX  
 WCDMA: LMB DRX

<sup>a</sup>617–960 MHz

<sup>b</sup>1452–2690 MHz

<sup>c</sup>3400–3800 MHz

<sup>d</sup>n77/n78: 3300–4200 MHz

<sup>e</sup>n79: 4400–5000 MHz

<sup>f</sup>5150–5925 MHz

<sup>g</sup>MHB TX1 will be active when supporting Sub 2.6 GHz EN-DC

### Antenna GNSS (A5)

Connector	QMA
Direction	Receive
LNA supply voltage	Max. 3.7 VDC (DC voltage for active antenna)
LNA supply current	Max. 70 mA (DC current for active antenna)
Cabling	50 Ohm coaxial cable and GNSS antenna required
Conductive chassis	Yes
GNSS receiver	GPS: L1C/A SBAS: L1C/A: WAAS, EGNOS, MSAS QZSS: L1C/A/S GLONASS: L1OF BeiDou: B1I Galileo: E1B/C
Supported GNSS constellations	Concurrent GPS, GLONASS, Galileo and BeiDou plus SBAS and QZSS reception <sup>a</sup>
Sample rate	25 Hz (independent of the GNSS constellation)
Protocols	NMEA 4.10/4.11, UBX

<sup>a</sup>SBAS and QZSS are only active in combination with GPS



#### NOTICE

Unused antenna port must be terminated with 50 Ohm terminations.

**NOTICE**

To avoid damages on the antenna interfaces, ensure that the far end side of the antenna cable and/or the antenna itself is connected to protective earth.

**NOTE**

External GNSS LNA is recommended to improve sensitivity.

## 5.2. Type Tests and Environmental Conditions

Environmental phenomena	Basic standard	Description	Test levels
ESD	EN 61000-4-2	Enclosure	Contact: $\pm 6$ kV Air: $\pm 8$ kV
Fast transients	EN 61000-4-4	DC power port	$\pm 2$ kV, direct coupling
		Ethernet ports	$\pm 2$ kV, capacitive coupling clamp
		Antenna ports	
Surge	EN 61000-4-5	DC power port	L-E: $\pm 1$ kV, $12 \Omega$ , $9 \mu\text{F}$ , $1.2/50 \mu\text{s}$ L-E: $\pm 2$ kV, $42 \Omega$ , $0.5 \mu\text{F}$ , $1.2/50 \mu\text{s}$ L-L: $\pm 1$ kV, $12 \Omega$ , $9 \mu\text{F}$ , $1.2/50 \mu\text{s}$ L-L: $\pm 2$ kV, $42 \Omega$ , $0.5 \mu\text{F}$ , $1.2/50 \mu\text{s}$
		Ethernet ports	L-E: $\pm 1$ kV, $2 \Omega$ , $18 \mu\text{F}$ , $1.2/50 \mu\text{s}$
		Antenna ports	
Power frequency magnetic field	EN 61000-4-8	Enclosure	300 A/m continues, DC, 16.7 Hz, 50 Hz, 60 Hz
Radiated RF immunity	EN 61000-4-3	Enclosure	20 V/m, 80% AM (1kHz) at 80 MHz to 6 GHz 30 V/m, PM 200 Hz square at 380 MHz to 385 MHz 30 V/m, PM 200 Hz square at 390 MHz to 395 MHz 3 V/m, PM 200 Hz square at 104, 136, 165, 200, 260, 330, 430, 560, 715 $\pm 1$ , 920 $\pm 1$ MHz
Conducted RF immunity	EN 61000-4-6	DC power port	10 V, 80% AM (1 kHz) from 0.15 to 80 MHz
		Ethernet ports	
		Antenna ports	
Radiated RF emission	EN 55032	Enclosure	Class B
Conducted RF emission	EN 55032	DC power port	Class B
		Ethernet ports	
Insulation resistance	EN 50155	Power port (DC) to all other ports	$> 100$ MOhm
Dielectric strength	EN 50155	Power port (DC) to all other ports	750 VDC, 60 s

Table 10. EMC and electrical conditions

Environmental phenomena	Basic standard	Description	Test levels
Temperatures	EN 60068-2-1 EN 60068-2-2 EN 60068-2-14	Operational	-40 to +70°C (-40 to +158°F) <sup>a</sup>
		Storage and transport	-55 to +85°C (-67 to +185°F)
Humidity	EN 60068-2-30	Operational	5-95 % relative humidity
		Storage and transport	
Altitude		Operational	2000 m
MTBF	IEC TR 62380		283'858 hours
Vibration	EN 60068-2-64 (random)	Operational, endurance test	2.3 m/s <sup>2</sup> random, 5 to 2000 Hz, 3 x 4 h
	EN 60068-2-64 (random)	Operational, endurance test	11.44 m/s <sup>2</sup> random, 5 to 150 Hz, 3 x 5 h
Shock <sup>b</sup>	EN 60068-2-27	Operational	100 m/s <sup>2</sup> , 30 ms, 3 x 6 shocks (half sine)
	MIL STD 810, M516.7		10 g, 11 ms, 3 x 6 shocks (saw tooth)
Weight			1650 gr
Degree of protection	EN 60529	Enclosure	IP66 <sup>c</sup>
Cooling			Convection
Pollution degree	EN 61010-1		PD2
Conformal coating type	IPC-A-610	Electronic modules	AR (Acrylic)

<sup>a</sup>Refer to "Safety and Regulations" chapter regarding touch temperature

<sup>b</sup>The power and Ethernet cables need to be fastened 200 mm or closer to the unit. The same recommendation applies to the Antenna cables.

<sup>c</sup>Provided all connectors are connected with IP66 cabling or fitted with protective caps (delivered with the unit) and tightened to the specified torque

Table 11. Environmental and mechanical conditions

## 6. Abbreviations and Terms

Abbreviation	Description
3GPP	3rd Generation Partnership Project
5G	5th Generation Standard for Wireless Broadband Communication
AM	Amplitude Modulation
AREMA	American Railway Engineering and Maintenance-of-Way Association
AWG	American Wire Gauge
BeiDou	Chinese Global Positioning System
BPSK	Binary Phase Shift Keying
CA	Carrier Aggregation
CAT5e	Category 5 Enhanced Cable
CE	Conformité Européenne
CPU	Central Processing Unit
DC	Direct Current
DL	Down Link
DRX	Discontinuous Reception
EMC	Electromagnetic Compatibility
EN	European Standard
ERR	Error
ESD	Electro Static Discharge
ETSI	European Telecommunications Standards Institute
FCC	Federal Communication Commission
FDD	Frequency Division Duplex
FLOSS	Free/Libre Open Source Software
Galileo	European Global Positioning System
GNSS	Global Navigation Satellite System
GLONASS	Russian Global Positioning System
GPS	US Global Positioning System
IEC	International Engineering Consortium
IC	Industry Canada
ID	Identification
IMT	International Mobile Telecommunications
I/O	Input / Output
IP	Ingress Protection



<b>Abbreviation</b>	<b>Description</b>
ISO	International Standardization Organisation
LAA	License Assisted Access
LAN	Local Area Network
LB	Low Band
LED	Light Emitting Diode
LMB	Low-mid Band
LTE	Long Term Evolution (4G) Standard for Wireless Broadband Communication
LV	Low Voltage
MHB	Mid-high Band
MIMO	Multiple Input, Multiple Output
MTBF	Mean Time between Failure
MTTR	Mean Time to Repair
NR	New Radio
NSA	Non Stand Alone
OPR	Operation
PM	Pulse Modulated
PoE	Power over Ethernet
PRX	Primary Reception
QMA	Quick-connect RF Connectors
QR	Quick Response
QZSS	Quasi-Zenith Satellite System
RF	Radio Frequency
SA	Stand Alone
SBAS	Satellite-Based Augmentation System
SIM	Subscriber Identity Module
SN	Serial Number
SNMP	Simple Network Management Protocol
TDD	Time Division Duplex
TNV	Telephone Network Voltage
TRX	Transmitter / Receiver
UHB	Ultra-high Band
UL	Up Link
UMTS	Universal Mobile Telecommunications System
VPN	Virtual Private Network
WCDMA	Wideband Code Division Multiple Access

<b>Abbreviation</b>	<b>Description</b>
WebGUI	Web Graphical User Interface
WeConfig	Westermo Configuration Tool
WEEE	Waste Electrical and Electronics Equipment
WLAN	Wireless Local Area Network

*Table 12. Abbreviations and terms*

## 7. Revision Notes

<b>Revision</b>	<b>Date</b>	<b>Change description</b>
Rev. A	2023-12	First revision

# WESTERMO

Westermo • Metallverksgatan 6, SE-721 30 Västerås, Sweden

Tel +46 16 42 80 00 Fax +46 16 42 80 01

E-mail: [info@westermo.com](mailto:info@westermo.com)

[www.westermo.com](http://www.westermo.com)