

## Multi Band Omnidirectional Antenna

### ANT-LTE-OMNI-HG

LTE multi-band omnidirectional base station antenna. It covers GSM 900/1800 dual-band, UMTS, WLAN and LTE systems. The antenna guarantees high gain on all bands. It is protected by thermoplastic UV stabilized material for robustness and long life for outdoor and indoor installations. It is supplied with plastic bracket and fixing hardware for an easy installation on a mast or for wall mounting. Supplied with 50cm low loss cable.



Ordering Information	
Art.no	Description
9350-0350	ANT-LTE-OMNI-HG, 2G/GSM/GPRS/3G/HSUPA/HSDPA/4G/LTE antenna
	<ul style="list-style-type: none"><li>• 790-960MHz, 1710-2700MHz and 2.4 – 2.7Ghz for WLAN</li><li>• 6dBi Gain</li><li>• -20°C to 80°C operational temperature range</li><li>• 50cm fly lead</li><li>• Mast/wall mounting</li></ul>
Specifications	
Electrical	
Type	Multi Band Dipole Array
Frequency	790-960Mhz for GSM 900 and LTE 800 1710-1880Mhz for GSM 1800 1920-2170Mhz for UMTS 2.4 – 2.7Ghz for WLAN and LTE 2600
Impedance	50Ω

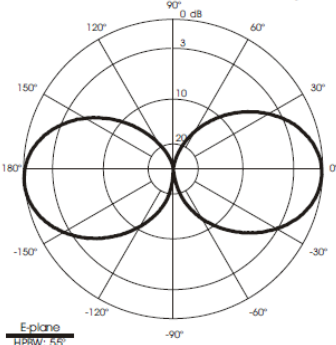
Polarisation	Linear Vertical
Radiation (H-plane)	360° Omnidirectional
Radiation (E-plane)	Beamwidth @ -3dB = see diagrams
Radiation angle deg	0°
Gain	5 dBi for GSM 900 & 1800 and LTE 800 6 dBi for UMTS 5-6 dBi for WLAN and LTE 2600
Max Power @ 30° C	20 Watts for GSM 900 and LTE 800 10 Watts for GSM 1800 & UMTS 6 Watts for WLAN & LTE 2600
<b>Mechanical</b>	
Dimensions (approx)	335 x 166 x 144 mm with bracket
Weight (approx)	350g
Connector	TNC (f)
Cable Type/Length	Low Loss / 50cm fly lead, feeder cable available – see <i>Antenna Part Guide</i>
Material	Thermoplastic UV Stabilized Grey RAL 7035, galvanized steel hardware
Installation Type	Mast: Ø25-42 mm with U-bolt (included) Wall: mounting screw (not included)
<b>Environmental</b>	
Temperature	Operating      -20°C to 80°C
Wind Load @ 150Km/h	36 N
Wind Resistance	200 Km/h
Wind Surface	0.02m <sup>2</sup>

# Radiation Patterns

TYPICAL RADIATION PATTERN in E-plane at 875 MHz

File: E-04-015

Scale: logarithmic

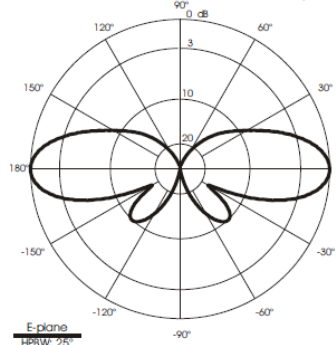


**LTE 800 and GSM 900**

TYPICAL RADIATION PATTERN in E-plane at 1795 MHz

File: E-04-015

Scale: logarithmic

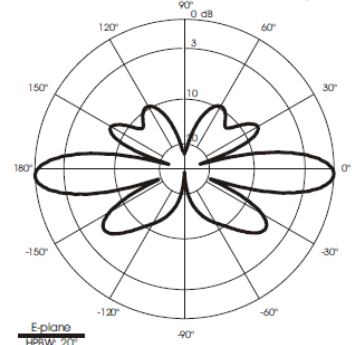


**GSM 1800**

TYPICAL RADIATION PATTERN in E-plane at 2045 MHz

File: E-04-015

Scale: logarithmic

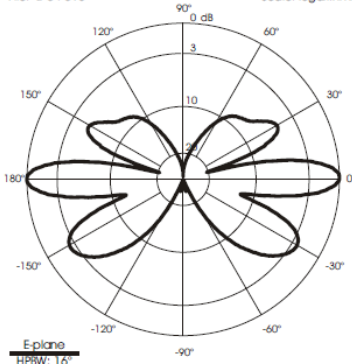


**UMTS**

TYPICAL RADIATION PATTERN in E-plane at 2442.5 MHz

File: E-04-015

Scale: logarithmic

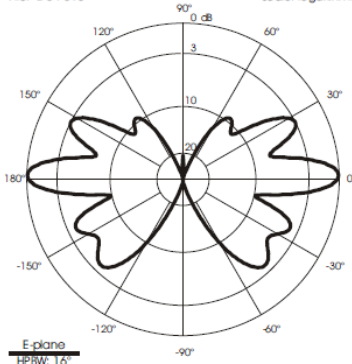


**WLAN**

TYPICAL RADIATION PATTERN in E-plane at 2600 MHz

File: E-04-015

Scale: logarithmic

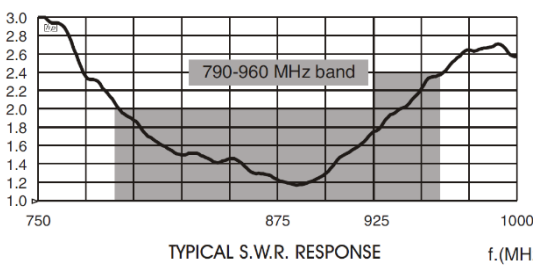


**LTE 2600**

## TYPICAL S.W.R. RESPONSE

S.W.R.

File: F-04-015

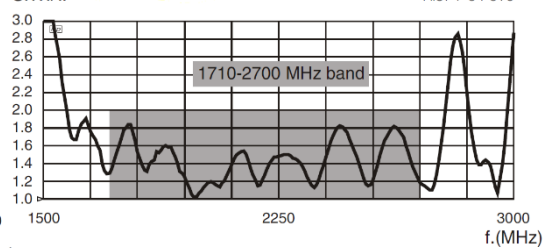


TYPICAL S.W.R. RESPONSE

f.(MHz)

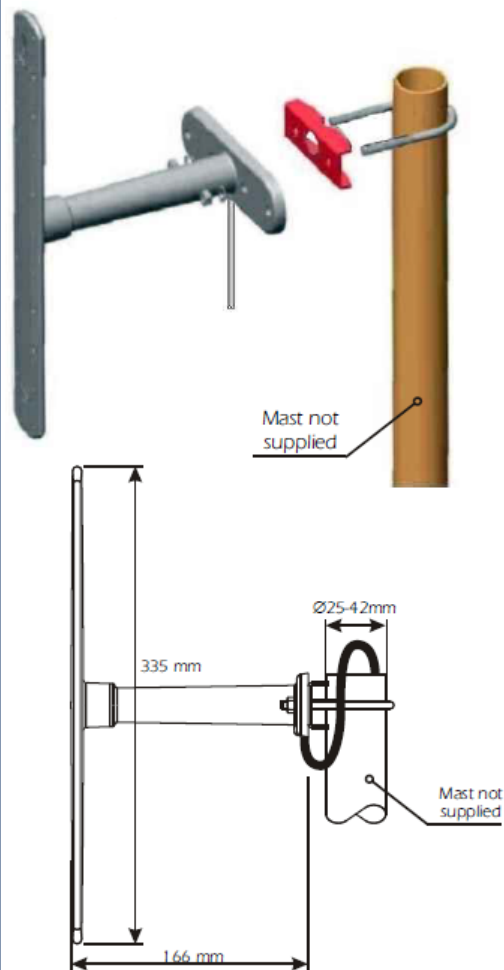
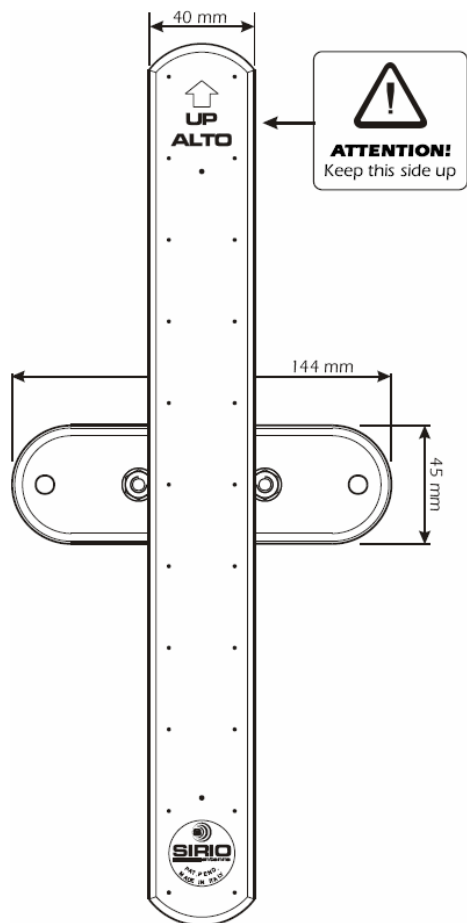
S.W.R.

File: F-04-015



f.(MHz)

## Mast Mount Installation



### Fixing bracket part list

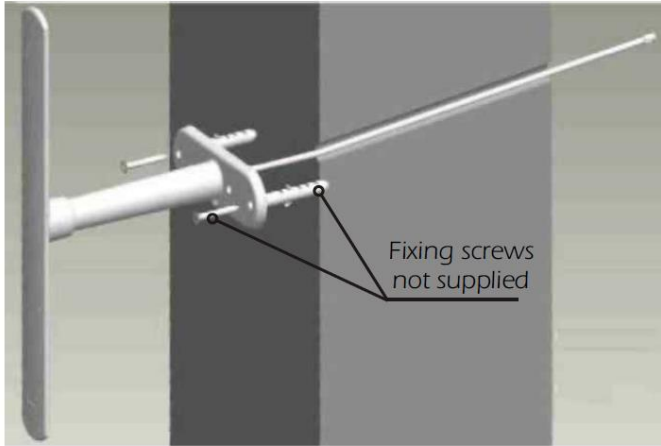
Qty	Description
1	Steel bracket
1	M6x 180 U-bolt
2	M6 Flat washer
2	M6 Lock washer
2	M6 Hexagonal nut

### IMPORTANT NOTE:

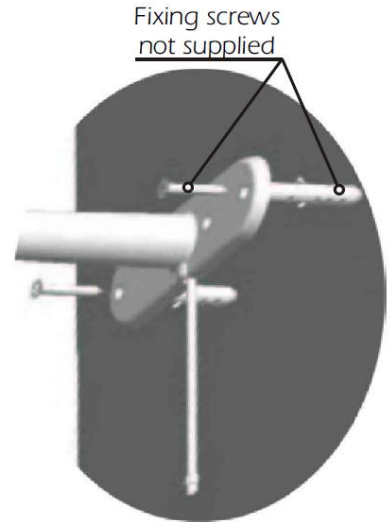
Ensure the mast is suitably grounded.

Adequate surge protection is the responsibility of the installer.

## Wall Mount Installation



It is recommended that the cable is installed internally to provide adequate protection.



For external cable installation, ensure the cable is positioned in the provider groove on the bracket.

## Additional Part Required

See Antenna Part Guide